



## APE143T-1-4

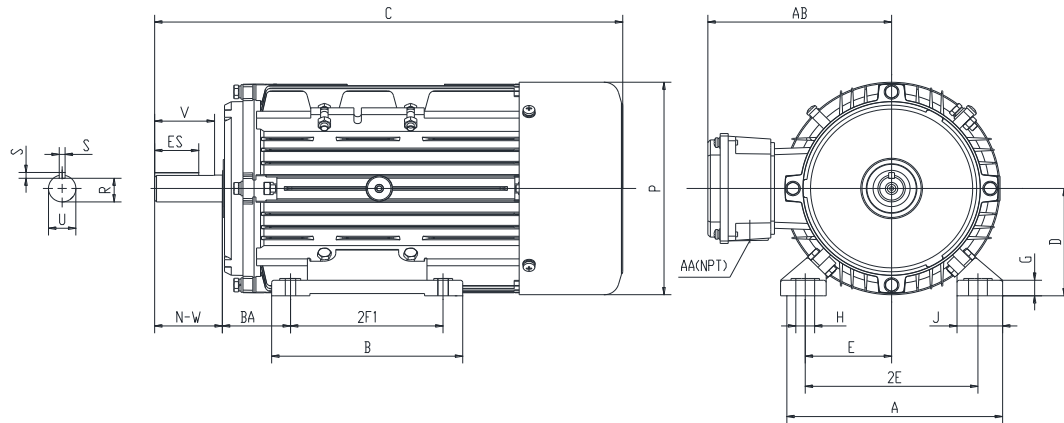
GENERAL PURPOSE ELECTRIC MOTOR

NEMA PREMIUM EFFICIENCY

TOTALLY ENCLOSED FAN COOLED

INVERTER DUTY 10:1 CT; 20:1 VT - NEMA MG1 PART 31

Factory Certified for T2B Class I, Division II, Groups A,B,C & D and Class II, Division II, Groups F & G



### DIMENSIONS

| HP | RPM  | Frame | MOUNTING |     |      |     |      |      |      |      |     |     |     |    |     |    |      |
|----|------|-------|----------|-----|------|-----|------|------|------|------|-----|-----|-----|----|-----|----|------|
|    |      |       | A        | B   | C    | D   | G    | H    | J    | E    | 2E  | 2F1 | 2F2 | O  | P   | T  | BA   |
| 1  | 1800 | 143T  | 7        | 5.1 | 13.9 | 3.5 | 0.57 | 0.39 | 1.46 | 2.75 | 5.5 | 4   | NA  | NA | 5.9 | NA | 2.25 |

| Shaft Extension, Key Set |   |       |       |      |      | Conduit Box |       | Bearings |         | Mount |
|--------------------------|---|-------|-------|------|------|-------------|-------|----------|---------|-------|
| U                        | V | R     | S     | ES   | N-W  | AA          | AB    | DE       | ODE     |       |
| 0.875                    | 2 | 0.771 | 0.188 | 1.41 | 2.25 | 0.75        | 5.875 | 6205-ZZ  | 6205-ZZ | F1    |

**BEARING LUBRICATION:** The bearings come lubricated with Mobil Polyrex EM Polyurea Grease.





## APE143T-1-4

GENERAL PURPOSE ELECTRIC MOTOR

NEMA PREMIUM EFFICIENCY

TOTALLY ENCLOSED FAN COOLED

INVERTER DUTY 10:1 CT; 20:1 VT - NEMA MG1 PART 31

Factory Certified for T2B Class I, Division II, Groups A,B,C & D and Class II, Division II, Groups F & G

### PERFORMANCE DATA

| HP | RPM  | Frame | Voltage     | Frequency (Hz) | Full Load S.F. | Insulation Class | NEMA Design | Slip (%) | NEMA Code | Enclosure Type | IP Rating | Max. Ambient |
|----|------|-------|-------------|----------------|----------------|------------------|-------------|----------|-----------|----------------|-----------|--------------|
| 1  | 1745 | 143T  | 208-230/460 | 60             | 1.15           | F                | B           | 3.1      | M         | TEFC           | 55        | 40 °C        |

| Amps (460V) |     | Efficiency (%) |      |      | Power Factor |      |      | Torque (ft-lb) |       |       | DE Bearing | ODE Bearing | Connection  | Weight (lbs.) |
|-------------|-----|----------------|------|------|--------------|------|------|----------------|-------|-------|------------|-------------|-------------|---------------|
| FLA         | LRA | 100%           | 75%  | 50%  | 100%         | 75%  | 50%  | FLT            | LRT % | BDT % |            |             |             |               |
| 1.5         | 15  | 85.5           | 85.0 | 82.5 | 0.71         | 0.62 | 0.49 | 3.02           | 275   | 310   | 6205-ZZ    | 6205-ZZ     | 9 Lead 2Y/Y | 35            |

### NAME PLATE

|  |      |  |      |            |      |         |             |                       |        |                     |       |   |     |   |
|--|------|--|------|------------|------|---------|-------------|-----------------------|--------|---------------------|-------|---|-----|---|
|  |      | AC INDUCTION MOTOR<br>INVERTER DUTY 20:1 VT; 10:1 CT |      |            |      |         |             |                       |        | CONNECTION DIAGRAMS |       |   |     |   |
| CAT NO.  |      | APE143T-1-4  |      |            |      | FRAME   |             | 143T                  |        | PHASE               |       | 3 |     |   |
| HZ   | 60   | S.F.   | 1.15 | HZ         | 50   | S.F.    | 1.0         | ENCL                  | TEFC   | IP                  | 55    |   |     |   |
| HP   | 1    | RPM  | 1745 | HP         | 1    | RPM     | 1430        | DUTY CONT             | DES    |                     | B     |   |     |   |
| VOLTS  |      | 208-230/460  |      |            |      | VOLTS   |             | 190/380               |        | AMB                 | 40 °C |   | INS | F |
| AMPS   |      | 3.2 - 3 / 1.5  |      | AMPS       |      | 3.6/1.8 |             | DE BRG                |        | 6205-ZZ             |       |   |     |   |
| CODE   | M    | P.F.   | 0.71 | CODE       | H    | P.F.    | 0.77        | ODE BRG               |        | 6205-ZZ             |       |   |     |   |
| EFF  | 85.5 | MIN  | 82.5 | EFF        | 83.0 | MIN     | 80.0        | LUB: Mobil Polyrex EM |        |                     |       |   |     |   |
| MOTOR WEIGHT   |      | 35 LBS   |      | CONNECTION |      |         | 9 Lead 2Y/Y |                       | SER NO |                     |       |   |     |   |
| General purpose use on industrial machinery installed in damp, dusty or dirty environments.<br>Hernando, Mississippi |      |  |      |            |      |         |             |                       |        | CC082A<br>E310089   |       |   |     |   |
| 208-230V<br>   |      |  |      |            |      |         |             |                       |        |                     |       |   |     |   |
| 460V<br>   |      |  |      |            |      |         |             |                       |        |                     |       |   |     |   |

### APPLICATIONS:

General purpose use on pumps, fans, blowers, compressors, conveyors, material handling and other industrial machinery installed in damp, dusty or dirty environments.