



APE145T-1.5-4

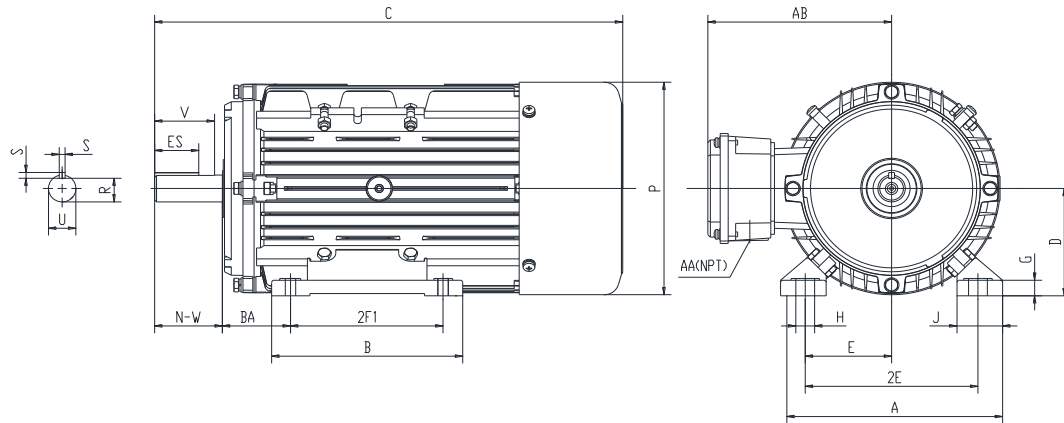
GENERAL PURPOSE ELECTRIC MOTOR

NEMA PREMIUM EFFICIENCY

TOTALLY ENCLOSED FAN COOLED

INVERTER DUTY 10:1 CT; 20:1 VT - NEMA MG1 PART 31

Factory Certified for T2B Class I, Division II, Groups A,B,C & D and Class II, Division II, Groups F & G



DIMENSIONS

HP	RPM	Frame	MOUNTING														
			A	B	C	D	G	H	J	E	2E	2F1	2F2	O	P	T	BA
1.5	1800	145T	7	6.2	15.1	3.5	0.57	0.39* 0.63	1.46	2.75	5.5	4.9	NA	NA	5.9	NA	2.25

Shaft Extension, Key Set						Conduit Box		Bearings		Mount
U	V	R	S	ES	N-W	AA	AB	DE	ODE	
0.875	2	0.771	0.188	1.41	2.25	0.75	5.875	6205-ZZ	6205-ZZ	F1

BEARING LUBRICATION: The bearings come lubricated with Mobil Polyrex EM Polyurea Grease.





APE145T-1.5-4

GENERAL PURPOSE ELECTRIC MOTOR

NEMA PREMIUM EFFICIENCY

TOTALLY ENCLOSED FAN COOLED

INVERTER DUTY 10:1 CT; 20:1 VT - NEMA MG1 PART 31

Factory Certified for T2B Class I, Division II, Groups A,B,C & D and Class II, Division II, Groups F & G

PERFORMANCE DATA

HP	RPM	Frame	Voltage	Frequency (Hz)	Full Load S.F.	Insulation Class	NEMA Design	Slip (%)	NEMA Code	Enclosure Type	IP Rating	Max. Ambient
1.5	1750	145T	230/460	60	1.15	F	B	2.8	M	TEFC	55	40 °C

Amps (460V)		Efficiency (%)			Power Factor			Torque (ft-lb)			DE Bearing	ODE Bearing	Connection	Weight (lbs.)
FLA	LRA	100%	75%	50%	100%	75%	50%	FLT	LRT %	BDT %				
2.2	20	86.5	86.0	84.0	0.70	0.62	0.48	4.54	250	330	6205-ZZ	6205-ZZ	9 Lead 2Y/Y	39

*Usable at 208 Volts

NAME PLATE

		AC INDUCTION MOTOR INVERTER DUTY 20:1 VT; 10:1 CT								CONNECTION DIAGRAMS		
CAT NO. APE145T-1.5-4		FRAME 145T		PHASE 3		230V						
HZ 60	S.F. 1.15	HZ 50	S.F. 1.0	ENCL TEFC	IP 55	T4		T5		T6		
HP 1.5	RPM 1750	HP 1.5	RPM 1430	DUTY CONT	DES B	T7		T8		T9		
VOLTS 230/460		VOLTS 190/380		AMB 40 °C	INS F	T1		T2		T3		
AMPS 4.4/2.2		AMPS 5.4/2.7		DE BRG 6205-ZZ		L1		L2		L3		
CODE M	P.F. 0.70	CODE H	P.F. 0.75	ODE BRG 6205-ZZ		460V						
EFF 86.5	MIN 84.0	EFF 84.0	MIN 81.5	LUB: Mobil Polyrex EM		T4		T5		T6		
MOTOR WEIGHT 39 LBS		CONNECTION 9 Lead 2Y/Y		SER NO		T7		T8		T9		
General purpose use on industrial machinery installed in damp, dusty or dirty environments. Hernando, Mississippi								CC082A		E310089		
						T1		T2		T3		
						L1		L2		L3		

APPLICATIONS:

General purpose use on pumps, fans, blowers, compressors, conveyors, material handling and other industrial machinery installed in damp, dusty or dirty environments.