



APE213T-7.5-2

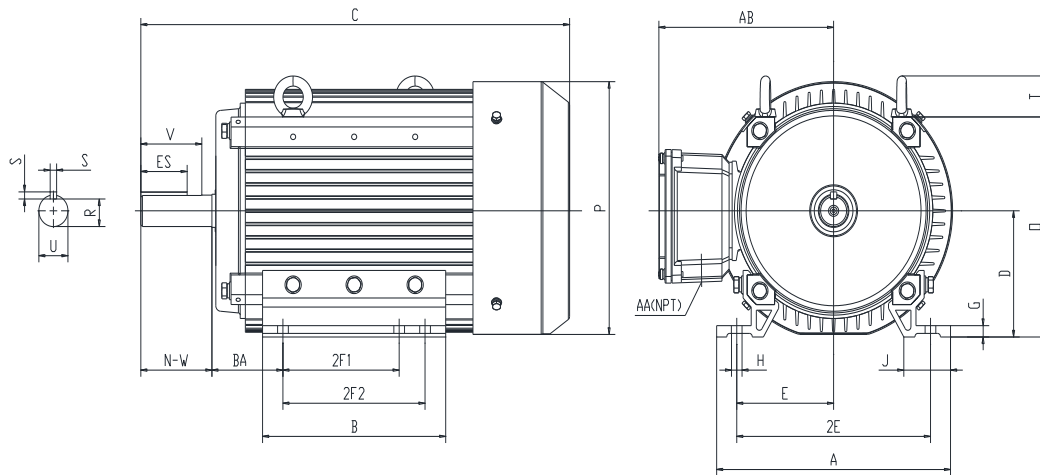
GENERAL PURPOSE ELECTRIC MOTOR

NEMA PREMIUM EFFICIENCY

TOTALLY ENCLOSED FAN COOLED

INVERTER DUTY 10:1 CT; 20:1 VT - NEMA MG1 PART 31

Factory Certified for T2B Class I, Division II, Groups A,B,C & D and Class II, Division II, Groups F & G



DIMENSIONS

HP	RPM	Frame	MOUNTING														
			A	B	C	D	G	H	J	E	2E	2F1	2F2	O	P	T	BA
7.5	3600	213T	9.8	8.1	18.2	5.25	0.45	0.41	1.55	4.25	8.5	5.5	NA	8.81	10.2	1.54	3.5

Shaft Extension, Key Set						Conduit Box		Bearings		Mount
U	V	R	S	ES	N-W	AA	AB	DE	ODE	
1.375	3.12	1.201	0.312	2.41	3.38	0.75	7.3	6208-ZZ	6208-ZZ	F1

BEARING LUBRICATION: The bearings come lubricated with Mobil Polyrex EM Polyurea Grease.





APE213T-7.5-2

GENERAL PURPOSE ELECTRIC MOTOR

NEMA PREMIUM EFFICIENCY

TOTALLY ENCLOSED FAN COOLED

INVERTER DUTY 10:1 CT; 20:1 VT - NEMA MG1 PART 31

Factory Certified for T2B Class I, Division II, Groups A,B,C & D and Class II, Division II, Groups F & G

PERFORMANCE DATA

HP	RPM	Frame	Voltage	Frequency (Hz)	Full Load S.F.	Insulation Class	NEMA Design	Slip (%)	NEMA Code	Enclosure Type	IP Rating	Max. Ambient
7.5	3530	213T	208-230/460	60	1.15	F	B	1.9	H	TEFC	55	40 °C

Amps (460V)		Efficiency (%)			Power Factor			Torque (ft-lb)			DE Bearing	ODE Bearing	Connection	Weight (lbs.)
FLA	LRA	100%	75%	50%	100%	75%	50%	FLT	LRT %	BDT %				
8.8	63	89.5	88.5	87.5	0.90	0.87	0.81	11.19	160	290	6208-ZZ	6208-ZZ	12 Lead 2Δ/Δ	105

NAME PLATE

		AC INDUCTION MOTOR INVERTER DUTY 20:1 VT; 10:1 CT								CONNECTION DIAGRAMS 208-230V					
CAT NO. APE213T-7.5-2		FRAME 213T		PHASE 3											
HZ 60	S.F. 1.15	HZ 50	S.F. 1.0	ENCL TEFC	IP 55										
HP 7.5	RPM 3530	HP 7.5	RPM 2920	DUTY CONT	DES B										
VOLTS 208-230/460		VOLTS 190/380		AMB 40 °C	INS F										
AMPS 18.8 - 17.6 / 8.8	AMPS 21/10.5		DE BRG 6208-ZZ												
CODE H	P.F. 0.90	CODE E	P.F. 0.92	ODE BRG 6208-ZZ											
EFF 89.5	MIN 87.5	EFF 87.5	MIN 85.5	LUB: Mobil Polyrex EM											
MOTOR WEIGHT 105	LBS	CONNECTION 12 Lead 2Δ/Δ		SER NO											
General purpose use on industrial machinery installed in damp, dusty or dirty environments. Hernando, Mississippi														CC082A E310089	

APPLICATIONS:

General purpose use on pumps, fans, blowers, compressors, conveyors, material handling and other industrial machinery installed in damp, dusty or dirty environments.