



## APE213T-7.5-4

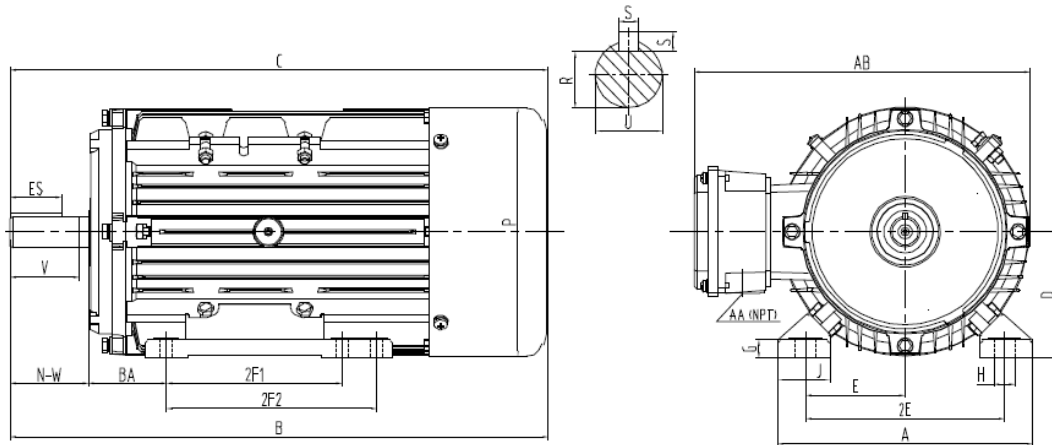
GENERAL PURPOSE ELECTRIC MOTOR

NEMA PREMIUM EFFICIENCY

TOTALLY ENCLOSED FAN COOLED

INVERTER DUTY 10:1 CT; 20:1 VT - NEMA MG1 PART 31

Factory Certified for T2B Class I, Division II, Groups A,B,C & D and Class II, Division II, Groups F & G



### DIMENSIONS

HP	RPM	Frame	MOUNTING														
			A	B	C	D	G	H	J	E	2E	2F1	2F2	O	P	T	BA
7.5	1800	213T	9.8	8.1	18.2	5.25	0.45	0.41	1.55	4.25	8.5	5.5	NA	8.81	10.2	1.54	3.5

Shaft Extension, Key Set						Conduit Box		Bearings		Mount
U	V	R	S	ES	N-W	AA	AB	DE	ODE	
1.378	3.12	1.201	0.312	2.41	3.38	3/4	7.3	6208-ZZ	6208-ZZ	F1

**BEARING LUBRICATION:** The bearings come lubricated with Mobil Polyrex EM Polyurea Grease.





## APE213T-7.5-4

GENERAL PURPOSE ELECTRIC MOTOR

NEMA PREMIUM EFFICIENCY

TOTALLY ENCLOSED FAN COOLED

INVERTER DUTY 10:1 CT; 20:1 VT - NEMA MG1 PART 31

Factory Certified for T2B Class I, Division II, Groups A,B,C & D and Class II, Division II, Groups F & G

### PERFORMANCE DATA

HP	RPM	Frame	Voltage	Frequency (Hz)	Full Load S.F.	Insulation Class	NEMA Design	Slip (%)	NEMA Code	Enclosure Type	IP Rating	Max. Ambient
7.5	1770	213T	208-230/460	60	1.15	F	B	1.7	H	TEFC	55	40 °C

Amps (460V)		Efficiency (%)			Power Factor			Torque (ft-lb)			DE Bearing	ODE Bearing	Connection	Weight (lbs.)
FLA	LRA	100%	75%	50%	100%	75%	50%	FLT	LRT %	BDT %				
9.2	63	91.7	91.7	90.2	0.80	0.74	0.63	22.51	160	270	6208-ZZ	6208-ZZ	9 Lead 2Y/Y	106

### NAME PLATE

		AC INDUCTION MOTOR INVERTER DUTY 20:1 VT; 10:1 CT								CONNECTION DIAGRAMS		
CAT NO.		APE213T-7.5-4				FRAME		213T		PHASE 3		
HZ	60	S.F.	1.15	HZ	50	S.F.	1.0	ENCL	TEFC	IP	55	
HP	7.5	RPM	1770	HP	7.5	RPM	1465	DUTY CONT	DES	B		
VOLTS	208-230/460		VOLTS	190/380		AMB	40 °C	INS	F			
AMPS	19.8-18.4/9.2		AMPS	23/11.5		DE BRG	6208-ZZ					
CODE	H	P.F.	0.80	CODE	G	P.F.	0.83	ODE BRG	6208-ZZ			
EFF	91.7	MIN	90.2	EFF	89.7	MIN	88.2	LUB:	Mobil Polyrex EM			
MOTOR WEIGHT	106 LBS		CONNECTION	9 Lead 2Y/Y			SER NO					
General purpose use on industrial machinery installed in damp, dusty or dirty environments. Hernando, Mississippi										CC082A E310089		

### APPLICATIONS:

General purpose use on pumps, fans, blowers, compressors, conveyors, material handling and other industrial machinery installed in damp, dusty or dirty environments.