



APE215T-10-2

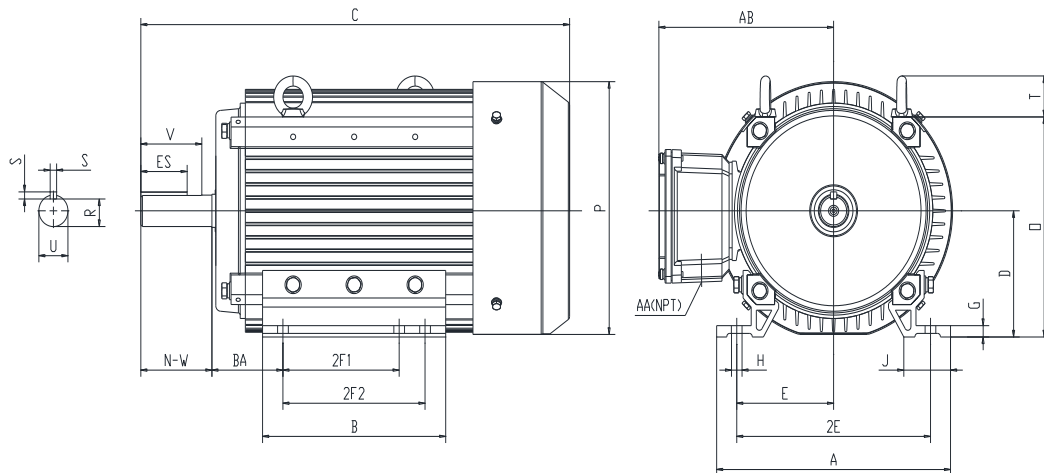
GENERAL PURPOSE ELECTRIC MOTOR

NEMA PREMIUM EFFICIENCY

TOTALLY ENCLOSED FAN COOLED

INVERTER DUTY 10:1 CT; 20:1 VT - NEMA MG1 PART 31

Factory Certified for T2B Class I, Division II, Groups A,B,C & D and Class II, Division II, Groups F & G



DIMENSIONS

HP	RPM	Frame	MOUNTING														
			A	B	C	D	G	H	J	E	2E	2F1	2F2	O	P	T	BA
10	3600	215T	9.8	8.1	19.6	5.25	0.45	0.41	1.55	4.25	8.5	5.5	7	8.81	10.2	1.54	3.5

Shaft Extension, Key Set						Conduit Box		Bearings		Mount
U	V	R	S	ES	N-W	AA	AB	DE	ODE	
1.375	3.12	1.201	0.312	2.41	3.38	0.75	7.3	6208-ZZ	6208-ZZ	F1

BEARING LUBRICATION: The bearings come lubricated with Mobil Polyrex EM Polyurea Grease.





APE215T-10-2

GENERAL PURPOSE ELECTRIC MOTOR

NEMA PREMIUM EFFICIENCY

TOTALLY ENCLOSED FAN COOLED

INVERTER DUTY 10:1 CT; 20:1 VT - NEMA MG1 PART 31

Factory Certified for T2B Class I, Division II, Groups A,B,C & D and Class II, Division II, Groups F & G

PERFORMANCE DATA

HP	RPM	Frame	Voltage	Frequency (Hz)	Full Load S.F.	Insulation Class	NEMA Design	Slip (%)	NEMA Code	Enclosure Type	IP Rating	Max. Ambient
10	3525	215T	208-230/460	60	1.15	F	B	2.1	H	TEFC	55	40 °C

Amps (460V)		Efficiency (%)			Power Factor			Torque (ft-lb)			DE Bearing	ODE Bearing	Connection	Weight (lbs.)
FLA	LRA	100%	75%	50%	100%	75%	50%	FLT	LRT %	BDT %				
11.4	81	90.2	89.0	88.5	0.92	0.89	0.83	14.9	160	290	6208-ZZ	6208-ZZ	12 Lead 2Δ/Δ	123

NAME PLATE

		AC INDUCTION MOTOR INVERTER DUTY 20:1 VT; 10:1 CT								CONNECTION DIAGRAMS													
CAT NO.		APE215T-10-2				FRAME		215T		PHASE 3													
HZ		60		S.F.		1.15		HZ		50		S.F.		1.0		ENCL		TEFC		IP		55	
HP		10		RPM		3525		HP		10		RPM		2910		DUTY		CONT		DES		B	
VOLTS		208-230/460				VOLTS		190/380				AMB		40 °C		INS		F					
AMPS		23.9-22.8/11.4				AMPS		27.4/13.7				DE BRG		6208-ZZ									
CODE		H		P.F.		0.92		CODE		E		P.F.		0.93		ODE BRG		6208-ZZ					
EFF		90.2		MIN		88.5		EFF		88.2		MIN		86.5		LUB: Mobil Polyrex EM							
MOTOR WEIGHT		123		LBS		CONNECTION				12 Lead 2Δ/Δ				SER NO									
General purpose use on industrial machinery installed in damp, dusty or dirty environments.												CC082A											
Hernando, Mississippi								E310089															
												208-230V 											
												460V 											

APPLICATIONS:

General purpose use on pumps, fans, blowers, compressors, conveyors, material handling and other industrial machinery installed in damp, dusty or dirty environments.