



APE215T-10-4

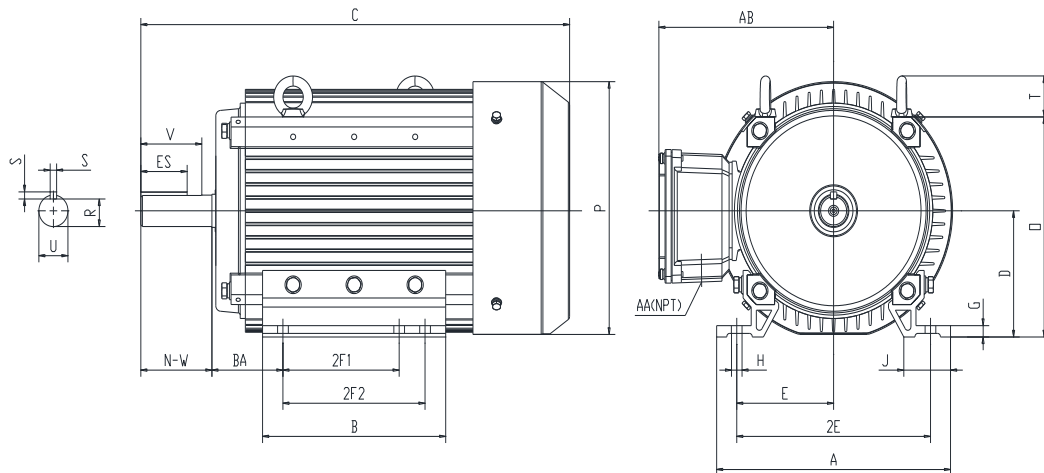
GENERAL PURPOSE ELECTRIC MOTOR

NEMA PREMIUM EFFICIENCY

TOTALLY ENCLOSED FAN COOLED

INVERTER DUTY 10:1 CT; 20:1 VT - NEMA MG1 PART 31

Factory Certified for T2B Class I, Division II, Groups A,B,C & D and Class II, Division II, Groups F & G



DIMENSIONS

HP	RPM	Frame	MOUNTING														
			A	B	C	D	G	H	J	E	2E	2F1	2F2	O	P	T	BA
10	1800	215T	9.8	8.1	19.6	5.25	0.45	0.41	1.55	4.25	8.5	5.5	7	8.81	10.2	1.54	3.5

Shaft Extension, Key Set						Conduit Box		Bearings		Mount
U	V	R	S	ES	N-W	AA	AB	DE	ODE	
1.375	3.12	1.201	0.312	2.41	3.38	0.75	7.3	6208-ZZ	6208-ZZ	F1

BEARING LUBRICATION: The bearings come lubricated with Mobil Polyrex EM Polyurea Grease.





APE215T-10-4

GENERAL PURPOSE ELECTRIC MOTOR

NEMA PREMIUM EFFICIENCY

TOTALLY ENCLOSED FAN COOLED

INVERTER DUTY 10:1 CT; 20:1 VT - NEMA MG1 PART 31

Factory Certified for T2B Class I, Division II, Groups A,B,C & D and Class II, Division II, Groups F & G

PERFORMANCE DATA

HP	RPM	Frame	Voltage	Frequency (Hz)	Full Load S.F.	Insulation Class	NEMA Design	Slip (%)	NEMA Code	Enclosure Type	IP Rating	Max. Ambient
10	1770	215T	208-230/460	60	1.15	F	B	1.7	H	TEFC	55	40 °C

Amps (460V)		Efficiency (%)			Power Factor			Torque (ft-lb)			DE Bearing	ODE Bearing	Connection	Weight (lbs.)
FLA	LRA	100%	75%	50%	100%	75%	50%	FLT	LRT %	BDT %				
12	81	91.7	91.8	90.2	0.81	0.77	0.67	30.02	160	260	6208-ZZ	6208-ZZ	12 Lead 2Δ/Δ	118

NAME PLATE

		AC INDUCTION MOTOR INVERTER DUTY 20:1 VT; 10:1 CT								CONNECTION DIAGRAMS 208-230V													
CAT NO.		APE215T-10-4			FRAME		215T		PHASE			3											
HZ		60		S.F.		1.15		HZ		50		S.F.		1.0		ENCL		TEFC		IP		55	
HP		10		RPM		1770		HP		10		RPM		1460		DUTY		CONT		DES		B	
VOLTS		208-230/460			VOLTS		190/380			AMB		40 °C		INS		F							
AMPS		26-24/12			AMPS		30/15			DE BRG		6208-ZZ											
CODE		H		P.F.		0.81		CODE		F		P.F.		0.84		ODE BRG		6208-ZZ					
EFF		91.7		MIN		90.2		EFF		89.7		MIN		88.2		LUB: Mobil Polyrex EM							
MOTOR WEIGHT		118		LBS		CONNECTION		12 Lead 2Δ/Δ			SER NO												
General purpose use on industrial machinery installed in damp, dusty or dirty environments. Hernando, Mississippi										CC082A E310089													
												460V 											

APPLICATIONS:

General purpose use on pumps, fans, blowers, compressors, conveyors, material handling and other industrial machinery installed in damp, dusty or dirty environments.