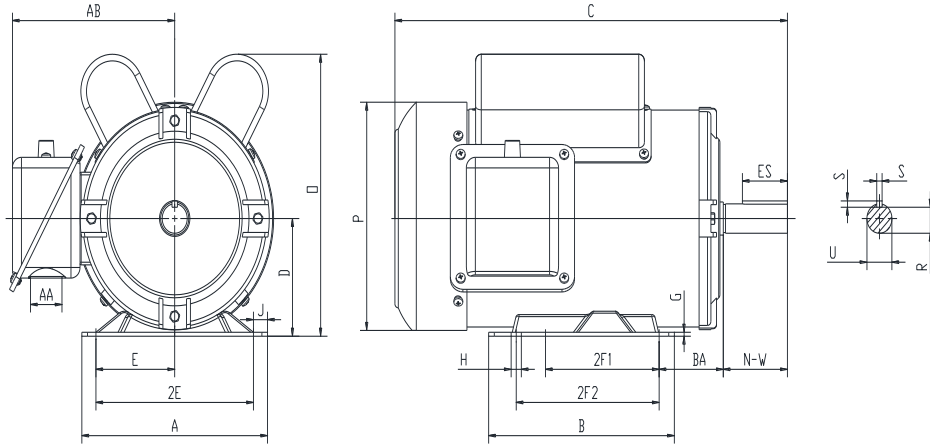




F143T1S4C-MO

**FARM DUTY ELECTRIC MOTOR
 HIGH STARTING TORQUE - MANUAL OVERLOAD
 SINGLE PHASE - CAPACITOR START / CAPACITOR RUN
 ROLLED STEEL CONSTRUCTION
 TOTALLY ENCLOSED FAN COOLED**



DIMENSIONS

HP	RPM	Frame	MOUNTING														
			A	B	C	D	G	H	J	E	2E	2F1	2F2	O	P	T	BA
1	1800	143T	6.5	6.5	12.6	3.5	0.12	0.34	0.5	2.75	5.5	4	5	8.5	6.8	NA	2.25

Shaft Extension, Key Set						Conduit Box		Bearings		Mount
U	V	R	S	ES	N-W	AA	AB	DE	ODE	
0.875	NA	0.771	0.188	1.41	2.25	1.1	6	6205-2RZC3	6203-2RZC3	F1

BEARING LUBRICATION: The bearings come lubricated with Mobil Polyrex EM Polyurea Grease.





F143T1S4C-MO





FARM DUTY ELECTRIC MOTOR
HIGH STARTING TORQUE - MANUAL OVERLOAD
SINGLE PHASE - CAPACITOR START / CAPACITOR RUN
ROLLED STEEL CONSTRUCTION
TOTALLY ENCLOSED FAN COOLED

PERFORMANCE DATA

HP	RPM	Frame	Voltage	Frequency (Hz)	Full Load S.F.	Insulation Class	NEMA Design	Slip (%)	NEMA Code	Enclosure Type	IP Rating	Max. Ambient
1	1760	143T	115/208-230	60	1.15	F	L	2.2	K	TEFC	55	40 °C

Amps (230V)		Efficiency (%)			Power Factor			Torque (ft-lb)			DE Bearing	ODE Bearing	Connection	Weight (lbs.)
FLA	LRA	100%	75%	50%	100%	75%	50%	FLT	LRT %	BDT %				
4.5	34.8	77.6	72.3	64.4	0.92	0.89	0.83	3	302	302	6205-2RZC3	6203-2RZC3	5 Lead/P1,P2	39

NAME PLATE

 FARM DUTY SINGLE PHASE AC ELECTRIC MOTOR HIGH STARTING TORQUE MANUAL OVERLOAD PROTECTION									
MODEL	F143T1S4C-MO	HP	1						
FRAME	143T	ENCL	TEFC						
RPM	1760	PH	1						
DESIGN	L	CODE	K						
		HZ	60						
CLASS	F	S.F.	1.15						
EFFICIENCY	77.6	P.F.	0.92						
		IP RATING	55						
DE BRG	6205-2RZC3	ODE BRG	6203-2RZC3						
VOLT	115/208-230	LBS	39						
AMPS	9/4.9-4.5	DUTY	CONT						
S.F.AMPS	10.35/5.6-5.17	MAX AMB	40 °C						
CONNECTION	5 Lead/P1,P2	SER #							
<table style="width:100%; border:none;"> <tr> <td style="text-align:center;">115V</td> <td style="text-align:center;">208-230V</td> </tr> <tr> <td style="text-align:center;">LOW VOLTAGE</td> <td style="text-align:center;">HIGH VOLTAGE</td> </tr> <tr> <td> CCW P1 — L1 — P1 P2 — T3 — T8 — T2 — T4 — L2 — T5 — </td> <td> CW P1 — L1 — P1 P2 — T2 — T3 — T5 — T8 — T4 — L2 — T5 — </td> </tr> </table>				115V	208-230V	LOW VOLTAGE	HIGH VOLTAGE	CCW P1 — L1 — P1 P2 — T3 — T8 — T2 — T4 — L2 — T5 —	CW P1 — L1 — P1 P2 — T2 — T3 — T5 — T8 — T4 — L2 — T5 —
115V	208-230V								
LOW VOLTAGE	HIGH VOLTAGE								
CCW P1 — L1 — P1 P2 — T3 — T8 — T2 — T4 — L2 — T5 —	CW P1 — L1 — P1 P2 — T2 — T3 — T5 — T8 — T4 — L2 — T5 —								
Hernando, MS www.naemotors.com   									

APPLICATIONS:

General purpose use on pumps, fans, conveyors, poultry equipment, air compressors and other farm duty machinery requiring high starting torques.