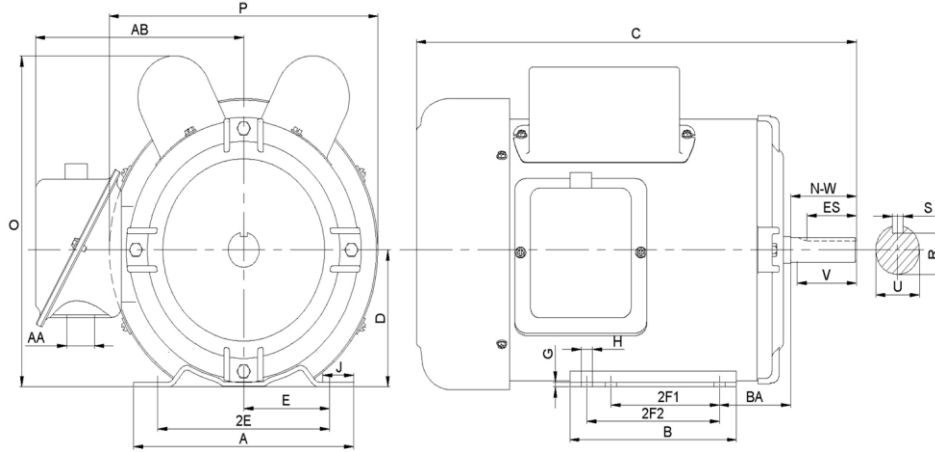




**F145T1.5S4C-MO**

FARM DUTY ELECTRIC MOTOR  
 HIGH STARTING TORQUE - MANUAL OVERLOAD  
 SINGLE PHASE - CAPACITOR START / CAPACITOR RUN  
 ROLLED STEEL CONSTRUCTION  
 TOTALLY ENCLOSED FAN COOLED



**DIMENSIONS**

HP	RPM	Frame	MOUNTING														
			A	B	C	D	G	H	J	E	2E	2F1	2F2	O	P	T	BA
1.5	1800	145T	6.54	5.91	13.35	3.5	0.12	0.34	1.18	2.75	5.5	4	5	8.46	7.01	NA	2.25

Shaft Extension, Key Set						Conduit Box		Bearings		Mount
U	V	R	S	ES	N-W	AA	AB	DE	ODE	
0.875	2	0.771	0.188	1.41	2.25	0.81	6.18	6205-2RZC3	6203-2RZC3	F1

**BEARING LUBRICATION:** The bearings come lubricated with Mobil Polyrex EM Polyurea Grease.





## F145T1.5S4C-MO





**FARM DUTY ELECTRIC MOTOR**  
**HIGH STARTING TORQUE - MANUAL OVERLOAD**  
**SINGLE PHASE - CAPACITOR START / CAPACITOR RUN**  
**ROLLED STEEL CONSTRUCTION**  
**TOTALLY ENCLOSED FAN COOLED**

### PERFORMANCE DATA

HP	RPM	Frame	Voltage	Frequency (Hz)	Full Load S.F.	Insulation Class	NEMA Design	Slip (%)	NEMA Code	Enclosure Type	IP Rating	Max. Ambient
1.5	1750	145T	115/208-230	60	1.15	F	L	2.8	J	TEFC	55	40 °C

Amps (230V)		Efficiency (%)			Power Factor			Torque (ft-lb)			DE Bearing	ODE Bearing	Connection	Weight (lbs.)
FLA	LRA	100%	75%	50%	100%	75%	50%	FLT	LRT %	BDT %				
6.6	49	77.0	71.8	63.2	0.95	0.93	0.90	4.5	260	241	6205-2RZC3	6203-2RZC3	5 Lead/P1,P2	45

### NAME PLATE

 <b>FARM DUTY</b> <b>SINGLE PHASE AC ELECTRIC MOTOR</b> <b>HIGH STARTING TORQUE</b> <b>MANUAL OVERLOAD PROTECTION</b>																																																			
MODEL	F145T1.5S4C-MO	HP	1.5																																																
FRAME	145T	ENCL	TEFC																																																
RPM	1750	CODE	J																																																
DESIGN	L	CLASS	F																																																
EFFICIENCY	77.0 %	P.F.	0.95																																																
DE BRG	6205-2RZC3	ODE BRG	6203-2RZC3																																																
VOLT	115/208-230	LBS	45																																																
AMPS	13.3/7.1-6.6	DUTY	CONT																																																
S.F.AMPS	15/8.3-7.6	MAX AMB	40 °C																																																
CONNECTION	5 Lead/P1,P2	SER #																																																	
<table border="0"> <tr> <td>CCW</td> <td>LOW VOLTAGE</td> <td>CW</td> <td>CCW</td> <td>HIGH VOLTAGE</td> <td>CW</td> </tr> <tr> <td>P1</td> <td>— L1 —</td> <td>P1</td> <td>P1</td> <td>— L1 —</td> <td>P1</td> </tr> <tr> <td>P2</td> <td>—</td> <td>P2</td> <td>P2</td> <td>—</td> <td>P2</td> </tr> <tr> <td>T3</td> <td>—</td> <td>T3</td> <td>T3</td> <td>—</td> <td>T3</td> </tr> <tr> <td>T8</td> <td>—</td> <td>T5</td> <td>T8</td> <td>—</td> <td>T5</td> </tr> <tr> <td>T2</td> <td>—</td> <td>T2</td> <td>T2</td> <td>—</td> <td>T2</td> </tr> <tr> <td>T4</td> <td>— L2 —</td> <td>T4</td> <td>T4</td> <td>— L2 —</td> <td>T4</td> </tr> <tr> <td>T5</td> <td>—</td> <td>T8</td> <td>T5</td> <td>—</td> <td>T8</td> </tr> </table>				CCW	LOW VOLTAGE	CW	CCW	HIGH VOLTAGE	CW	P1	— L1 —	P1	P1	— L1 —	P1	P2	—	P2	P2	—	P2	T3	—	T3	T3	—	T3	T8	—	T5	T8	—	T5	T2	—	T2	T2	—	T2	T4	— L2 —	T4	T4	— L2 —	T4	T5	—	T8	T5	—	T8
CCW	LOW VOLTAGE	CW	CCW	HIGH VOLTAGE	CW																																														
P1	— L1 —	P1	P1	— L1 —	P1																																														
P2	—	P2	P2	—	P2																																														
T3	—	T3	T3	—	T3																																														
T8	—	T5	T8	—	T5																																														
T2	—	T2	T2	—	T2																																														
T4	— L2 —	T4	T4	— L2 —	T4																																														
T5	—	T8	T5	—	T8																																														
Hernando, MS www.naemotors.com   																																																			

### APPLICATIONS:

General purpose use on pumps, fans, conveyors, poultry equipment, air compressors and other farm duty machinery requiring high starting torques.