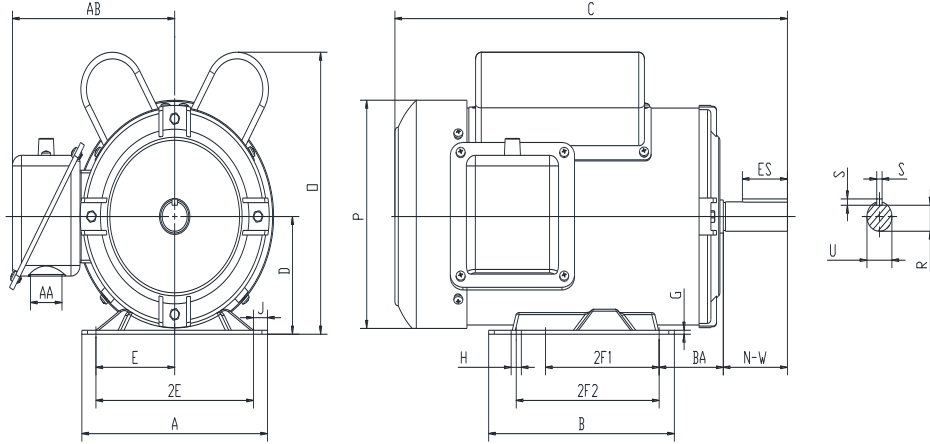




**F145T2S4C-MO**

**FARM DUTY ELECTRIC MOTOR  
 HIGH STARTING TORQUE - MANUAL OVERLOAD  
 SINGLE PHASE - CAPACITOR START / CAPACITOR RUN  
 ROLLED STEEL CONSTRUCTION  
 TOTALLY ENCLOSED FAN COOLED**



**DIMENSIONS**

| HP | RPM  | Frame | MOUNTING |     |      |     |      |      |     |      |     |     |     |     |     |    |      |
|----|------|-------|----------|-----|------|-----|------|------|-----|------|-----|-----|-----|-----|-----|----|------|
|    |      |       | A        | B   | C    | D   | G    | H    | J   | E    | 2E  | 2F1 | 2F2 | O   | P   | T  | BA   |
| 2  | 1800 | 145T  | 6.5      | 6.5 | 13.8 | 3.5 | 0.12 | 0.34 | 0.5 | 2.75 | 5.5 | 4   | 5   | 8.5 | 6.8 | NA | 2.25 |

| Shaft Extension, Key Set |    |       |       |      |      | Conduit Box |    | Bearings   |            | Mount |
|--------------------------|----|-------|-------|------|------|-------------|----|------------|------------|-------|
| U                        | V  | R     | S     | ES   | N-W  | AA          | AB | DE         | ODE        |       |
| 0.875                    | NA | 0.771 | 0.188 | 1.41 | 2.25 | 1.1         | 6  | 6205-2RZC3 | 6203-2RZC3 | F1    |

**BEARING LUBRICATION:** The bearings come lubricated with Mobil Polyrex EM Polyurea Grease.





## F145T2S4C-MO





**FARM DUTY ELECTRIC MOTOR**  
**HIGH STARTING TORQUE - MANUAL OVERLOAD**  
**SINGLE PHASE - CAPACITOR START / CAPACITOR RUN**  
**ROLLED STEEL CONSTRUCTION**  
**TOTALLY ENCLOSED FAN COOLED**

### PERFORMANCE DATA

| HP | RPM  | Frame | Voltage     | Frequency (Hz) | Full Load S.F. | Insulation Class | NEMA Design | Slip (%) | NEMA Code | Enclosure Type | IP Rating | Max. Ambient |
|----|------|-------|-------------|----------------|----------------|------------------|-------------|----------|-----------|----------------|-----------|--------------|
| 2  | 1750 | 145T  | 115/208-230 | 60             | 1.15           | F                | L           | 2.8      | H         | TEFC           | 55        | 40 °C        |

| Amps (230V) |      | Efficiency (%) |      |      | Power Factor |      |      | Torque (ft-lb) |       |       | DE Bearing | ODE Bearing | Connection   | Weight (lbs.) |
|-------------|------|----------------|------|------|--------------|------|------|----------------|-------|-------|------------|-------------|--------------|---------------|
| FLA         | LRA  | 100%           | 75%  | 50%  | 100%         | 75%  | 50%  | FLT            | LRT % | BDT % |            |             |              |               |
| 8           | 53.9 | 83.6           | 81.6 | 76.3 | 0.96         | 0.96 | 0.93 | 6.04           | 266   | 229   | 6205-2RZC3 | 6203-2RZC3  | 5 Lead/P1,P2 | 53            |

### NAME PLATE

|  <b>FARM DUTY</b><br><b>SINGLE PHASE AC ELECTRIC MOTOR</b><br><b>HIGH STARTING TORQUE</b><br><b>MANUAL OVERLOAD PROTECTION</b>  |   |           |            |                     |                          |  |   |
|---|---|-----------|------------|---------------------|--------------------------|--|---|
| MODEL   | F145T2S4C-MO  | HP        | 2          |                     |                          |  |   |
| FRAME   | 145T  | ENCL      | TEFC       |                     |                          |  |   |
| RPM   | 1750  | PH        | 1          |                     |                          |  |   |
| DESIGN  | L   | CODE      | H          |                     |                          |  |   |
|   |   | HZ        | 60         |                     |                          |  |   |
| CLASS   | F   | S.F.      | 1.15       |                     |                          |  |   |
| EFFICIENCY  | 83.6  | P.F.      | 0.96       |                     |                          |  |   |
|   |   | IP RATING | 55         |                     |                          |  |   |
| DE BRG  | 6205-2RZC3  | ODE BRG   | 6203-2RZC3 |                     |                          |  |   |
| VOLT  | 115/208-230   | LBS       | 53         |                     |                          |  |   |
| AMPS  | 16/8.9-8  | DUTY      | CONT       |                     |                          |  |   |
| S.F.AMPS  | 18.4/10.24-9.2  | MAX AMB   | 40 °C      |                     |                          |  |   |
| CONNECTION  | 5 Lead/P1,P2  | SER #     |            |                     |                          |  |   |
| <table style="width:100%; border:none;"> <tr> <td style="text-align:center;">115V<br/>LOW VOLTAGE</td> <td style="text-align:center;">208-230V<br/>HIGH VOLTAGE</td> </tr> <tr> <td>           CGW — L1 — P1<br/>           P2 —<br/>           T3 —<br/>           T8 —<br/>           T2 —<br/>           T4 — L2 —<br/>           T5 —         </td> <td>           CW — L1 — P1<br/>           P2 —<br/>           T3 —<br/>           T5 —<br/>           T8 —<br/>           T2 —<br/>           T4 — L2 —<br/>           T5 —         </td> </tr> </table> |   |           |            | 115V<br>LOW VOLTAGE | 208-230V<br>HIGH VOLTAGE | CGW — L1 — P1<br>P2 —<br>T3 —<br>T8 —<br>T2 —<br>T4 — L2 —<br>T5 — | CW — L1 — P1<br>P2 —<br>T3 —<br>T5 —<br>T8 —<br>T2 —<br>T4 — L2 —<br>T5 — |
| 115V<br>LOW VOLTAGE   | 208-230V<br>HIGH VOLTAGE  |           |            |                     |                          |  |   |
| CGW — L1 — P1<br>P2 —<br>T3 —<br>T8 —<br>T2 —<br>T4 — L2 —<br>T5 —  | CW — L1 — P1<br>P2 —<br>T3 —<br>T5 —<br>T8 —<br>T2 —<br>T4 — L2 —<br>T5 — |           |            |                     |                          |  |   |
| Hernando, MS<br>www.naemotors.com     |   |           |            |                     |                          |  |   |

### APPLICATIONS:

General purpose use on pumps, fans, conveyors, poultry equipment, air compressors and other farm duty machinery requiring high starting torques.