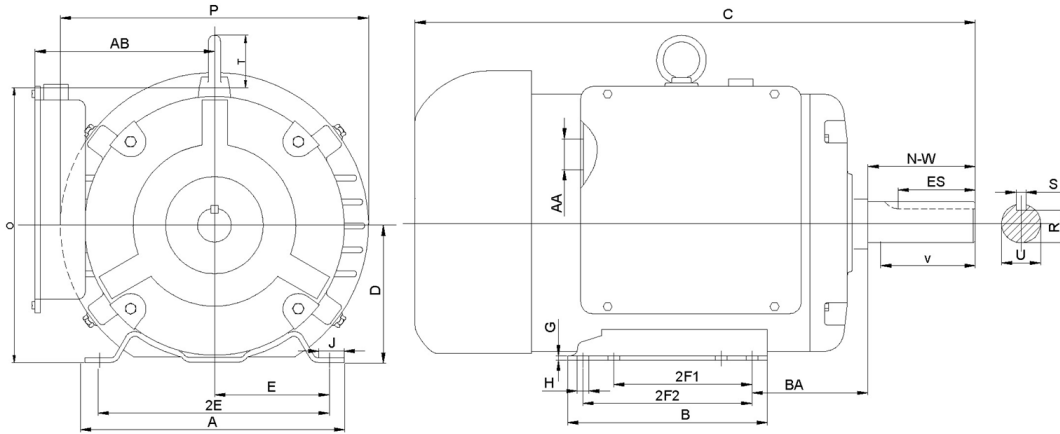




F182T3S4C-MO

FARM DUTY ELECTRIC MOTOR
HIGH STARTING TORQUE - MANUAL OVERLOAD
SINGLE PHASE - CAPACITOR START / CAPACITOR RUN
ROLLED STEEL CONSTRUCTION
TOTALLY ENCLOSED FAN COOLED



DIMENSIONS

HP	RPM	Frame	MOUNTING														
			A	B	C	D	G	H	J	E	2E	2F1	2F2	O	P	T	BA
3	1800	182T	8.5	6.5	16.8	4.5	0.16	0.41	0.95	3.75	7.5	4.5	5.5	9.15	10.12	1.97	2.75

Shaft Extension, Key Set						Conduit Box		Bearings		Mount
U	V	R	S	ES	N-W	AA	AB	DE	ODE	
1.125	2.5	0.986	0.25	1.78	2.75	1.1	6.81	6206-2RZC3	6205-2RZC3	F1

BEARING LUBRICATION: The bearings come lubricated with Mobil Polyrex EM Polyurea Grease.





F182T3S4C-MO


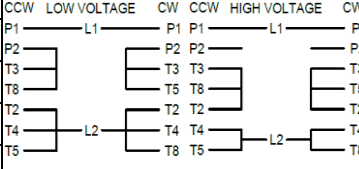



**FARM DUTY ELECTRIC MOTOR
 HIGH STARTING TORQUE - MANUAL OVERLOAD
 SINGLE PHASE - CAPACITOR START / CAPACITOR RUN
 ROLLED STEEL CONSTRUCTION
 TOTALLY ENCLOSED FAN COOLED**

PERFORMANCE DATA

HP	RPM	Frame	Voltage	Frequency (Hz)	Full Load S.F.	Insulation Class	NEMA Design	Slip (%)	NEMA Code	Enclosure Type	IP Rating	Max. Ambient
3	1735	182T	208-230/460	60	1.15	F	L	3.6	H	TEFC	55	40 °C

Amps (230V)		Efficiency (%)			Power Factor			Torque (ft-lb)			DE Bearing	ODE Bearing	Connection	Weight (lbs.)
FLA	LRA	100%	75%	50%	100%	75%	50%	FLT	LRT %	BDT %				
12.6	87.6	81.5	79.0	74.6	0.94	0.92	0.89	9.06	276	240	6206-2RZC3	6205-2RZC3	5 Lead/P1,P2	92

NAME PLATE

		FARM DUTY SINGLE PHASE AC ELECTRIC MOTOR HIGH STARTING TORQUE MANUAL OVERLOAD PROTECTION					
MODEL	HP	3	RPM	1735	FRAME	182T	
F182T3S4C-MO	ENCL	TEFC	HZ	60	PHASE	1	
VOLT	208-230/460	AMPS	14.5-12.6/6.4	S.F.	1.15	DESIGN	L
S.F.AMPS	16-15/7.4	CLASS	F	CODE	H	LBS	92
EFFICIENCY	81.5 %	P.F.	0.94				
DE BEARING	6206-2RZC3						
ODE BEARING	6205-2RZC3						
MAX AMB.	40 °C	RATING	CONT				
SER NO.							
General purpose use on equipment and farm duty machinery requiring high starting torques.							
Hernando, Mississippi							

APPLICATIONS:

General purpose use on pumps, fans, conveyors, poultry equipment, air compressors and other farm duty machinery requiring high starting torques.