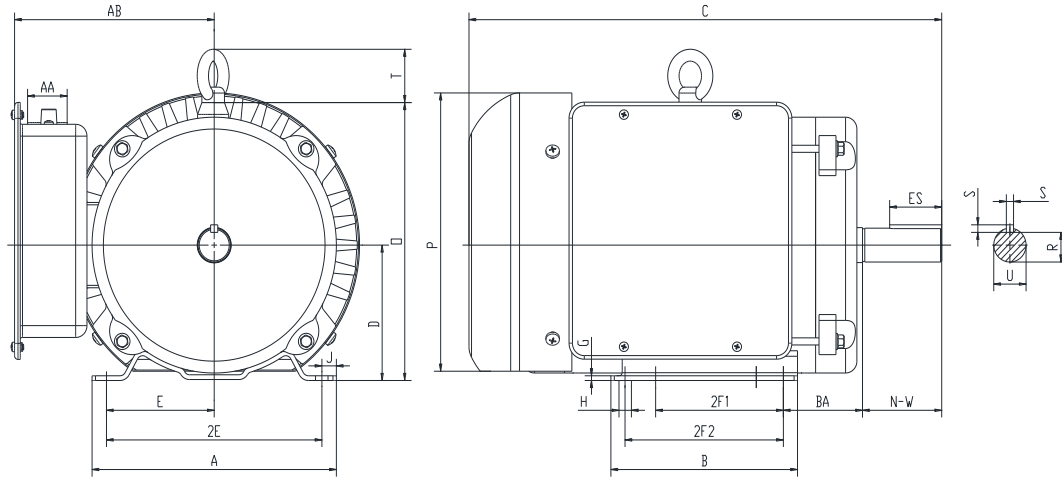




F184T5S2C-MO

FARM DUTY ELECTRIC MOTOR
HIGH STARTING TORQUE - MANUAL OVERLOAD
SINGLE PHASE - CAPACITOR START / CAPACITOR RUN
ROLLED STEEL CONSTRUCTION
TOTALLY ENCLOSED FAN COOLED



DIMENSIONS

HP	RPM	Frame	MOUNTING														
			A	B	C	D	G	H	J	E	2E	2F1	2F2	O	P	T	BA
5	3600	184T	8.5	6.5	16.5	4.5	0.16	0.41	0.5	3.75	7.5	4.5	5.5	9.1	9.3	1.5	2.75

Shaft Extension, Key Set						Conduit Box		Bearings		Mount
U	V	R	S	ES	N-W	AA	AB	DE	ODE	
1.125	NA	0.986	0.25	1.78	2.75	1.1	7	6206-2RZC3	6205-2RZC3	F1

BEARING LUBRICATION: The bearings come lubricated with Mobil Polyrex EM Polyurea Grease.





F184T5S2C-MO

FARM DUTY ELECTRIC MOTOR
HIGH STARTING TORQUE - MANUAL OVERLOAD
SINGLE PHASE - CAPACITOR START / CAPACITOR RUN
ROLLED STEEL CONSTRUCTION
TOTALLY ENCLOSED FAN COOLED

PERFORMANCE DATA

HP	RPM	Frame	Voltage	Frequency (Hz)	Full Load S.F.	Insulation Class	NEMA Design	Slip (%)	NEMA Code	Enclosure Type	IP Rating	Max. Ambient
5	3540	184T	208-230/460	60	1.15	F	L	1.7	H	TEFC	55	40 °C

Amps (230V)		Efficiency (%)			Power Factor			Torque (ft-lb)			DE Bearing	ODE Bearing	Connection	Weight (lbs.)
FLA	LRA	100%	75%	50%	100%	75%	50%	FLT	LRT %	BDT %				
19.2	102.3	85.7	83.5	78.4	0.99	0.95	0.89	7.48	189	232	6206-2RZC3	6205-2RZC3	5 Lead/P1,P2	112

NAME PLATE

FARM DUTY SINGLE PHASE AC ELECTRIC MOTOR HIGH STARTING TORQUE MANUAL OVERLOAD PROTECTION											
CAT NO: F184T5S2C-MO		FRAME 184T	PH 1								
HZ 60	S.F. 1.15	ENCL TEFC	IP 55								
HP 5	RPM 3540	DUTY CONT	DES L								
VOLT 208-230/460		AMB 40 °C	INS F								
FLA 24-19.2/9.7		DE BRG	6206-2RZC3								
CODE H	P.F. 0.99	ODE BRG	6205-2RZC3								
EFF 85.7		LBS	112								
CONNECTION 5 Lead/P1,P2		SER NO.									
General purpose use on equipment and farm duty machinery requiring high starting torques. Hernando, Mississippi											

APPLICATIONS:

General purpose use on pumps, fans, conveyors, poultry equipment, air compressors and other farm duty machinery requiring high starting torques.