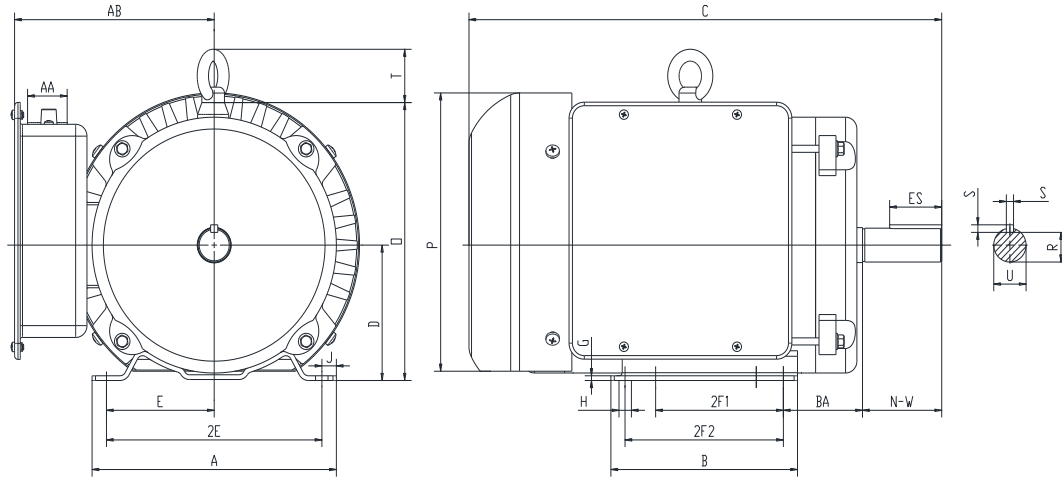




F184T5S4C-MO

FARM DUTY ELECTRIC MOTOR
HIGH STARTING TORQUE - MANUAL OVERLOAD
SINGLE PHASE - CAPACITOR START / CAPACITOR RUN
ROLLED STEEL CONSTRUCTION
TOTALLY ENCLOSED FAN COOLED



DIMENSIONS

HP	RPM	Frame	MOUNTING														
			A	B	C	D	G	H	J	E	2E	2F1	2F2	O	P	T	BA
5	1800	184T	8.5	6.5	16.9	4.5	0.16	0.41	0.5	3.75	7.5	4.5	5.5	9.1	9.3	1.5	2.75

Shaft Extension, Key Set						Conduit Box		Bearings		Mount
U	V	R	S	ES	N-W	AA	AB	DE	ODE	
1.125	NA	0.986	0.25	1.78	2.75	1.1	7	6206-2RZC3	6205-2RZC3	F1

BEARING LUBRICATION: The bearings come lubricated with Mobil Polyrex EM Polyurea Grease.





F184T5S4C-MO

FARM DUTY ELECTRIC MOTOR
HIGH STARTING TORQUE - MANUAL OVERLOAD
SINGLE PHASE - CAPACITOR START / CAPACITOR RUN
ROLLED STEEL CONSTRUCTION
TOTALLY ENCLOSED FAN COOLED

PERFORMANCE DATA

HP	RPM	Frame	Voltage	Frequency (Hz)	Full Load S.F.	Insulation Class	NEMA Design	Slip (%)	NEMA Code	Enclosure Type	IP Rating	Max. Ambient
5	1760	184T	208-230/460	60	1.15	F	L	2.2	G	TEFC	55	40 °C

Amps (230V)		Efficiency (%)			Power Factor			Torque (ft-lb)			DE Bearing	ODE Bearing	Connection	Weight (lbs.)
FLA	LRA	100%	75%	50%	100%	75%	50%	FLT	LRT %	BDT %				
19.4	128.9	87.6	85.5	84.0	0.96	0.96	0.95	15.03	245	213	6206-2RZC3	6205-2RZC3	5 Lead/P1,P2	117

NAME PLATE

FARM DUTY SINGLE PHASE AC ELECTRIC MOTOR HIGH STARTING TORQUE MANUAL OVERLOAD PROTECTION											
CAT NO:		F184T5S4C-MO		FRAME	184T	PH	1				
HZ	60	S.F.	1.15	ENCL	TEFC	IP	55				
HP	5	RPM	1760	DUTY	CONT	DES	L				
VOLT	208-230/460			AMB	40 °C	INS	F				
FLA	21.5-19.4/9.7			DE BRG			6206-2RZC3				
CODE	G	P.F.	0.96	ODE BRG			6205-2RZC3				
EFF	87.6			LBS			117				
CONNECTION	5 Lead/P1,P2			SER NO.							
General purpose use on equipment and farm duty machinery requiring high starting torques. Hernando, Mississippi											

APPLICATIONS:

General purpose use on pumps, fans, conveyors, poultry equipment, air compressors and other farm duty machinery requiring high starting torques.