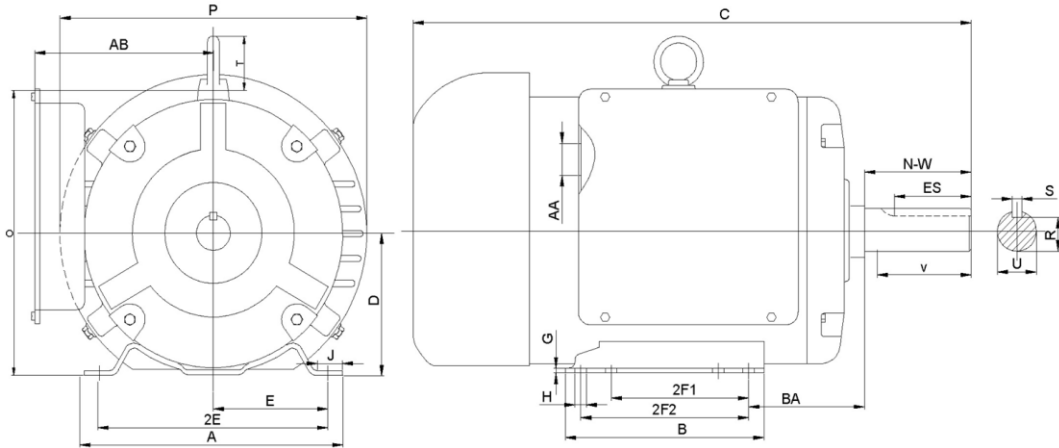




F215T10S4C

FARM DUTY ELECTRIC MOTOR
HIGH STARTING TORQUE - MANUAL OVERLOAD
SINGLE PHASE - CAPACITOR START / CAPACITOR RUN
ROLLED STEEL CONSTRUCTION
TOTALLY ENCLOSED FAN COOLED



DIMENSIONS

HP	RPM	Frame	MOUNTING														
			A	B	C	D	G	H	J	E	2E	2F1	2F2	O	P	T	BA
10	1800	215T	10.39	8.5	20.25	5.25	0.16	0.41	1.61	4.25	9.5	5.5	7	10.66	11.61	1.97	3.5

Shaft Extension, Key Set						Conduit Box		Bearings		Mount
U	V	R	S	ES	N-W	AA	AB	DE	ODE	
1.375	3.12	1.201	0.312	2.41	3.38	1.1	7.76	6307-2RZC3	6206-2RZC3	F1

BEARING LUBRICATION: The bearings come lubricated with Mobil Polyrex EM Polyurea Grease.





F215T10S4C


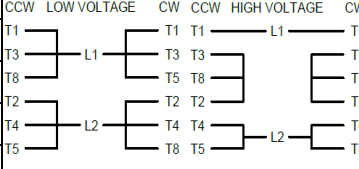



FARM DUTY ELECTRIC MOTOR
HIGH STARTING TORQUE - MANUAL OVERLOAD
SINGLE PHASE - CAPACITOR START / CAPACITOR RUN
ROLLED STEEL CONSTRUCTION
TOTALLY ENCLOSED FAN COOLED

PERFORMANCE DATA

HP	RPM	Frame	Voltage	Frequency (Hz)	Full Load S.F.	Insulation Class	NEMA Design	Slip (%)	NEMA Code	Enclosure Type	IP Rating	Max. Ambient
10	1738	215T	208-230/460	60	1.0	F	L	3.4	G	TEFC	55	40 °C

Amps (230V)		Efficiency (%)			Power Factor			Torque (ft-lb)			DE Bearing	ODE Bearing	Connection	Weight (lbs.)
FLA	LRA	100%	75%	50%	100%	75%	50%	FLT	LRT %	BDT %				
37.8	258.89	88.7	85.0	80.0	0.97	0.96	0.93	30.2	299	225	6307-2RZC3	6206-2RZC3	6 Lead	150

NAME PLATE

		FARM DUTY SINGLE PHASE AC ELECTRIC MOTOR HIGH STARTING TORQUE			
MODEL	HP 10	RPM 1738	FRAME 215T		
F215T10S4C	ENCL TEFC	HZ 60	PHASE 1		
VOLT 208-230/460	AMPS 43-37.8/18.9	S.F. 1.0	DESIGN L		
S.F.AMPS 43-37.8/18.9	CLASS F	CODE G	LBS 150		
EFFICIENCY 88.7 %	P.F. 0.97				
DE BEARING 6307-2RZC3					
ODE BEARING 6206-2RZC3					
MAX AMB. 40 °C	RATING CONT				
SER NO.					
General purpose use on equipment and farm duty machinery requiring high starting torques.					266715
Hernando, Mississippi					

APPLICATIONS:

General purpose use on pumps, fans, conveyors, poultry equipment, air compressors and other farm duty machinery requiring high starting torques.