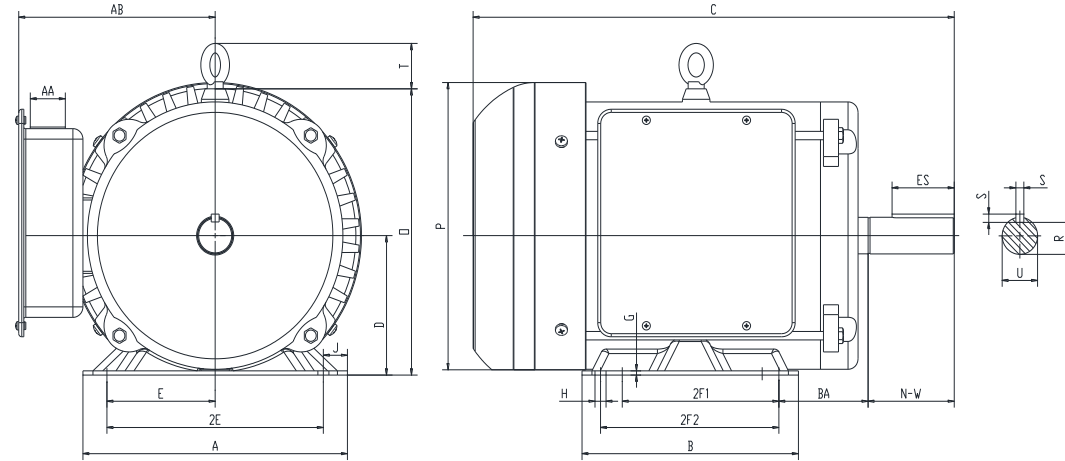




F215T10S4C

FARM DUTY ELECTRIC MOTOR
HIGH STARTING TORQUE - MANUAL OVERLOAD
SINGLE PHASE - CAPACITOR START / CAPACITOR RUN
ROLLED STEEL CONSTRUCTION
TOTALLY ENCLOSED FAN COOLED



DIMENSIONS

HP	RPM	Frame	MOUNTING														
			A	B	C	D	G	H	J	E	2E	2F1	2F2	O	P	T	BA
10	1800	215T	10.4	8.5	19	5.25	0.16	0.41	0.95	4.25	8.5	5.5	7	10.6	10.8	1.7	3.5

Shaft Extension, Key Set						Conduit Box		Bearings		Mount
U	V	R	S	ES	N-W	AA	AB	DE	ODE	
1.375	NA	1.201	0.312	2.41	3.38	1.1	7.8	6307-2RZC3	6206-2RZC3	F1

BEARING LUBRICATION: The bearings come lubricated with Mobil Polyrex EM Polyurea Grease.





F215T10S4C

FARM DUTY ELECTRIC MOTOR
HIGH STARTING TORQUE - MANUAL OVERLOAD
SINGLE PHASE - CAPACITOR START / CAPACITOR RUN
ROLLED STEEL CONSTRUCTION
TOTALLY ENCLOSED FAN COOLED

PERFORMANCE DATA

HP	RPM	Frame	Voltage	Frequency (Hz)	Full Load S.F.	Insulation Class	NEMA Design	Slip (%)	NEMA Code	Enclosure Type	IP Rating	Max. Ambient
10	1770	215T	208-230/460	60	1.0	F	L	1.7	G	TEFC	55	40 °C

Amps (230V)		Efficiency (%)			Power Factor			Torque (ft-lb)			DE Bearing	ODE Bearing	Connection	Weight (lbs.)
FLA	LRA	100%	75%	50%	100%	75%	50%	FLT	LRT %	BDT %				
38	263.8	88.9	88.3	84.9	0.98	0.98	0.96	29.92	302	237	6307-2RZC3	6206-2RZC3	6 Lead	152

NAME PLATE

<div style="text-align: center;"> FARM DUTY SINGLE PHASE AC ELECTRIC MOTOR HIGH STARTING TORQUE </div>													
CAT NO:		F215T10S4C		FRAME	215T	PH	1	208-230V LOW VOLTAGE		CCW CW			
HZ	60	S.F.	1.0	ENCL	TEFC	IP	55	T1	L1	T1	T3		
HP	10	RPM	1770	DUTY	CONT	DES	L	T8		T5	T2		
VOLT	208-230/460			AMB	40 °C	INS	F	T2	L2	T4	T8		
FLA	45-38/19			DE BRG	6307-2RZC3			460V HIGH VOLTAGE		CCW CW			
CODE	G	P.F.	0.98	ODE BRG	6206-2RZC3			T1	L1	T1	T3		
EFF	88.9			LBS	152			T3		T5	T2		
CONNECTION	6 Lead			SER NO.				T2		T4	T8		
General purpose use on equipment and farm duty machinery requiring high starting torques. Hernando, Mississippi													

APPLICATIONS:

General purpose use on pumps, fans, conveyors, poultry equipment, air compressors and other farm duty machinery requiring high starting torques.