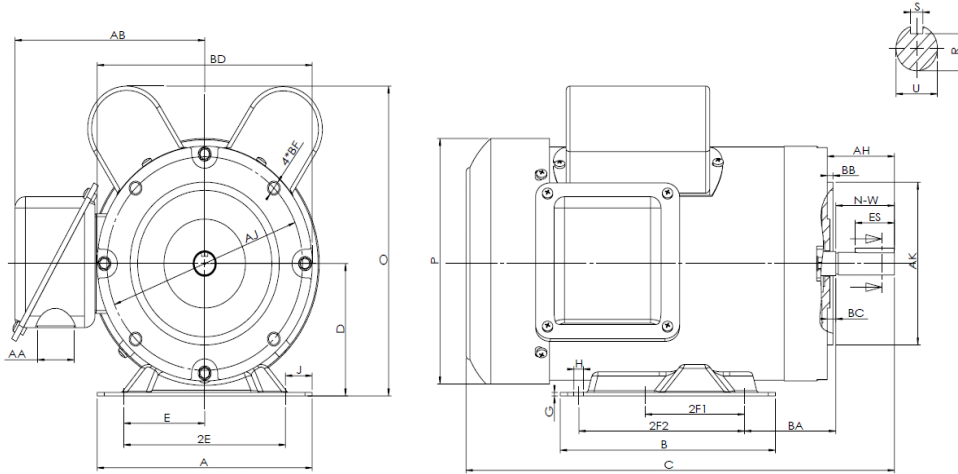




## F56C1/2S2C

GENERAL PURPOSE ELECTRIC MOTOR  
 SINGLE PHASE - CAPACITOR START / CAPACITOR RUN  
 ROLLED STEEL CONSTRUCTION  
 TOTALLY ENCLOSED FAN COOLED



### DIMENSIONS

HP	RPM	Frame	MOUNTING														
			A	B	C	D	G	H	J	E	2E	2F1	2F2	O	P	T	BA
1/2	3600	56C	6.3	4	10.7	3.5	0.12	0.34	0.71	2.44	4.88	3	NA	8	6.8	NA	2.75

FLANGE							Shaft Extension, Key Set					
AH	AJ	AK	BB	BC	BD	BF	U	V	R	S	ES	N-W
2.06	5.875	4.5	0.16	0.19	6.46	4*3/8-16	0.625	NA	0.517	0.188	1.41	1.88

Conduit Box		Bearings		Mount
AA	AB	DE	ODE	
1.1	5.75	6203-2RZC3	6203-2RZC3	F1

**BEARING LUBRICATION:** The bearings come lubricated with Mobil Polyrex EM Polyurea Grease.





## F56C1/2S2C




GENERAL PURPOSE ELECTRIC MOTOR  
 SINGLE PHASE - CAPACITOR START / CAPACITOR RUN  
 ROLLED STEEL CONSTRUCTION  
 TOTALLY ENCLOSED FAN COOLED

### PERFORMANCE DATA

HP	RPM	Frame	Voltage	Frequency (Hz)	Full Load S.F.	Insulation Class	NEMA Design	Slip (%)	NEMA Code	Enclosure Type	IP Rating	Max. Ambient
1/2	3520	56C	115/208-230	60	1.15	F	L	2.2	L	TEFC	55	40 °C

Amps (230V)		Efficiency (%)			Power Factor			Torque (ft-lb)			DE Bearing	ODE Bearing	Connection	Weight (lbs.)
FLA	LRA	100%	75%	50%	100%	75%	50%	FLT	LRT %	BDT %				
2.52	20.2	70.8	65.2	55.2	0.91	0.87	0.81	0.75	325	416	6203-2RZC3	6203-2RZC3	6 Lead	24

### NAME PLATE

		SINGLE PHASE AC ELECTRIC MOTOR			
MODEL	F56C1/2S2C	HP	1/2		
FRAME	56C	ENCL	TEFC	PH	1
RPM	3520	CODE	L	HZ	60
DESIGN	L	CLASS	F	S.F.	1.15
EFFICIENCY	70.8	P.F.	0.91	IP RATING	55
DE BRG	6203-2RZC3	ODE BRG	6203-2RZC3		
VOLT	115/208-230	LBS	24		
AMPS	5.03/2.78-2.52	DUTY	CONT		
S.F.AMPS	5.53/2.9-2.79	MAX AMB	40 °C		
CONNECTION	6 Lead	SER #			
115V CCW LOW VOLTAGE CW		208-230V CCW HIGH VOLTAGE CW			
T1	L1	T1	T1	L1	T1
T3		T3	T3		T3
T8		T5	T8		T5
T2	L2	T2	T2	L2	T2
T4		T4	T4		T4
T5		T8	T5		T8
Hernando, MS www.naemotors.com		ISO9001 CERTIFIED		 	

### APPLICATIONS:

General purpose use on pumps, fans, conveyors, poultry equipment, air compressors and other farm duty machinery requiring high starting torques.