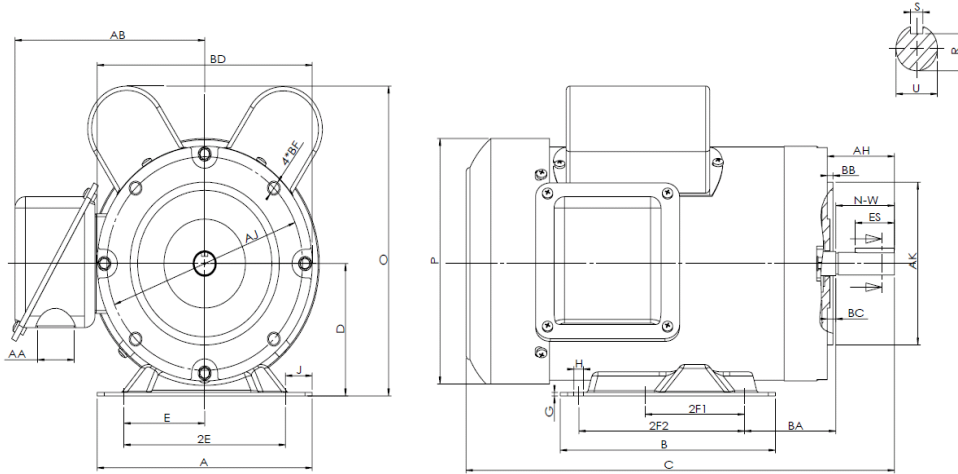




F56C1/2S4C

GENERAL PURPOSE ELECTRIC MOTOR
 SINGLE PHASE - CAPACITOR START / CAPACITOR RUN
 ROLLED STEEL CONSTRUCTION
 TOTALLY ENCLOSED FAN COOLED



DIMENSIONS

| HP | RPM | Frame | MOUNTING | | | | | | | | | | | | | | |
|-----|------|-------|----------|---|------|-----|------|------|------|------|------|-----|-----|---|-----|----|------|
| | | | A | B | C | D | G | H | J | E | 2E | 2F1 | 2F2 | O | P | T | BA |
| 1/2 | 1800 | 56C | 6.3 | 4 | 10.7 | 3.5 | 0.12 | 0.34 | 0.71 | 2.44 | 4.88 | 3 | NA | 8 | 6.8 | NA | 2.75 |

| FLANGE | | | | | | | Shaft Extension, Key Set | | | | | |
|--------|-------|-----|------|------|------|----------|--------------------------|----|-------|-------|------|------|
| AH | AJ | AK | BB | BC | BD | BF | U | V | R | S | ES | N-W |
| 2.06 | 5.875 | 4.5 | 0.16 | 0.19 | 6.46 | 4*3/8-16 | 0.625 | NA | 0.517 | 0.188 | 1.41 | 1.88 |

| Conduit Box | | Bearings | | Mount |
|-------------|------|------------|------------|-------|
| AA | AB | DE | ODE | |
| 1.1 | 5.75 | 6203-2RZC3 | 6203-2RZC3 | |

BEARING LUBRICATION: The bearings come lubricated with Mobil Polyrex EM Polyurea Grease.





F56C1/2S4C


GENERAL PURPOSE ELECTRIC MOTOR
 SINGLE PHASE - CAPACITOR START / CAPACITOR RUN
 ROLLED STEEL CONSTRUCTION
 TOTALLY ENCLOSED FAN COOLED

PERFORMANCE DATA

| HP | RPM | Frame | Voltage | Frequency (Hz) | Full Load S.F. | Insulation Class | NEMA Design | Slip (%) | NEMA Code | Enclosure Type | IP Rating | Max. Ambient |
|-----|------|-------|-------------|----------------|----------------|------------------|-------------|----------|-----------|----------------|-----------|--------------|
| 1/2 | 1765 | 56C | 115/208-230 | 60 | 1.15 | F | L | 1.9 | M | TEFC | 55 | 40 °C |

| Amps (230V) | | Efficiency (%) | | | Power Factor | | | Torque (ft-lb) | | | DE Bearing | ODE Bearing | Connection | Weight (lbs.) |
|-------------|------|----------------|------|------|--------------|------|------|----------------|-------|-------|------------|-------------|------------|---------------|
| FLA | LRA | 100% | 75% | 50% | 100% | 75% | 50% | FLT | LRT % | BDT % | | | | |
| 2.85 | 21.1 | 71.1 | 65.8 | 56.3 | 0.80 | 0.73 | 0.63 | 1.5 | 320 | 335 | 6203-2RZC3 | 6203-2RZC3 | 6 Lead | 28 |

NAME PLATE

|  | | SINGLE PHASE AC ELECTRIC MOTOR | | | |
|--|----------------|---------------------------------|---------|----------------------|------|
| MODEL | F56C1/2S4C | HP | 1/2 | | |
| FRAME | 56C | ENCL | TEFC | PH | 1 |
| RPM | 1765 | CODE | M | HZ | 60 |
| DESIGN | L | CLASS | F | S.F. | 1.15 |
| EFFICIENCY | 71.1 | P.F. | 0.80 | IP RATING | 55 |
| DE BRG | 6203-2RZC3 | | ODE BRG | 6203-2RZC3 | |
| VOLT | 115/208-230 | | LBS | 28 | |
| AMPS | 5.7/3.15-2.85 | | DUTY | CONT | |
| S.F.AMPS | 6.02/3.02-3.11 | | MAX AMB | 40 °C | |
| CONNECTION | 6 Lead | | SER # | | |
| 115V CCW LOW VOLTAGE CW | | 208-230V CCW HIGH VOLTAGE CW | | | |
| T1 | L1 | T1 | T1 | L1 | T1 |
| T3 | | T3 | T3 | | T3 |
| T8 | | T5 | T8 | | T5 |
| T2 | L2 | T2 | T2 | L2 | T2 |
| T4 | | T4 | T4 | | T4 |
| T5 | | T8 | T5 | | T8 |
| Hernando, MS www.naemotors.com | | ISO9001 CERTIFIED | | CE | |
| | | | | SP C US 601196 | |

APPLICATIONS:

General purpose use on pumps, fans, conveyors, poultry equipment, air compressors and other farm duty machinery requiring high starting torques.