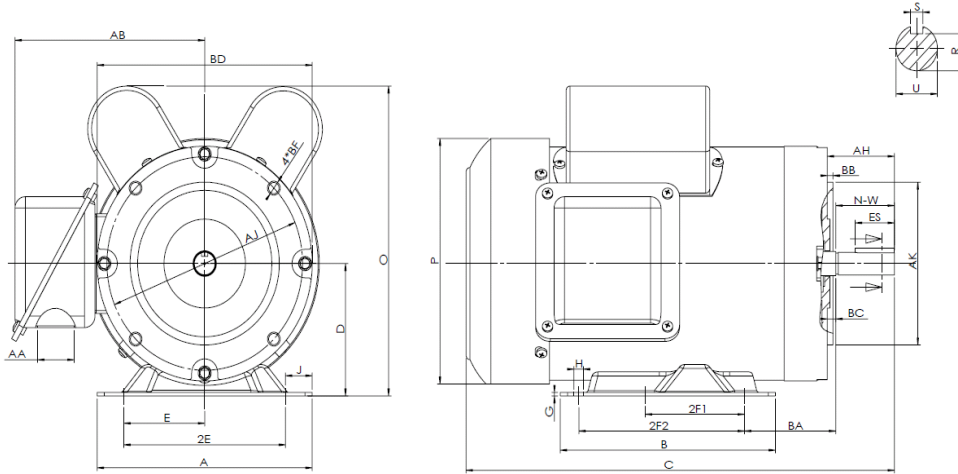




## F56C1/3S2C

GENERAL PURPOSE ELECTRIC MOTOR  
 SINGLE PHASE - CAPACITOR START / CAPACITOR RUN  
 ROLLED STEEL CONSTRUCTION  
 TOTALLY ENCLOSED FAN COOLED



### DIMENSIONS

| HP  | RPM  | Frame | MOUNTING |   |      |     |      |      |      |      |      |     |     |   |     |    |      |
|-----|------|-------|----------|---|------|-----|------|------|------|------|------|-----|-----|---|-----|----|------|
|     |      |       | A        | B | C    | D   | G    | H    | J    | E    | 2E   | 2F1 | 2F2 | O | P   | T  | BA   |
| 1/3 | 3600 | 56C   | 6.3      | 4 | 10.7 | 3.5 | 0.12 | 0.34 | 0.71 | 2.44 | 4.88 | 3   | NA  | 8 | 6.8 | NA | 2.75 |

| FLANGE |       |     |      |      |      |          | Shaft Extension, Key Set |    |       |       |      |      |
|--------|-------|-----|------|------|------|----------|--------------------------|----|-------|-------|------|------|
| AH     | AJ    | AK  | BB   | BC   | BD   | BF       | U                        | V  | R     | S     | ES   | N-W  |
| 2.06   | 5.875 | 4.5 | 0.16 | 0.19 | 6.46 | 4*3/8-16 | 0.625                    | NA | 0.517 | 0.188 | 1.41 | 1.88 |

| Conduit Box |      | Bearings   |            | Mount |
|-------------|------|------------|------------|-------|
| AA          | AB   | DE         | ODE        |       |
| 1.1         | 5.75 | 6203-2RZC3 | 6203-2RZC3 |       |

**BEARING LUBRICATION:** The bearings come lubricated with Mobil Polyrex EM Polyurea Grease.





## F56C1/3S2C




GENERAL PURPOSE ELECTRIC MOTOR  
 SINGLE PHASE - CAPACITOR START / CAPACITOR RUN  
 ROLLED STEEL CONSTRUCTION  
 TOTALLY ENCLOSED FAN COOLED

### PERFORMANCE DATA

| HP  | RPM  | Frame | Voltage     | Frequency (Hz) | Full Load S.F. | Insulation Class | NEMA Design | Slip (%) | NEMA Code | Enclosure Type | IP Rating | Max. Ambient |
|-----|------|-------|-------------|----------------|----------------|------------------|-------------|----------|-----------|----------------|-----------|--------------|
| 1/3 | 3520 | 56C   | 115/208-230 | 60             | 1.15           | F                | L           | 2.2      | L         | TEFC           | 55        | 40 °C        |

| Amps (230V) |      | Efficiency (%) |      |      | Power Factor |      |      | Torque (ft-lb) |       |       | DE Bearing | ODE Bearing | Connection | Weight (lbs.) |
|-------------|------|----------------|------|------|--------------|------|------|----------------|-------|-------|------------|-------------|------------|---------------|
| FLA         | LRA  | 100%           | 75%  | 50%  | 100%         | 75%  | 50%  | FLT            | LRT % | BDT % | 6203-2RZC3 | 6203-2RZC3  | 6 Lead     | 20            |
| 1.92        | 14.2 | 60.7           | 54.7 | 45.0 | 0.92         | 0.90 | 0.85 | 0.5            | 350   | 416   |            |             |            |               |

### NAME PLATE

|  |                | SINGLE PHASE AC ELECTRIC MOTOR  |            |  |      |
|--|----------------|---------------------------------|------------|--|------|
| MODEL  | F56C1/3S2C     | HP                              | 1/3        |  |      |
| FRAME  | 56C            | ENCL                            | TEFC       | PH   | 1    |
| RPM  | 3520           | CODE                            | L          | HZ   | 60   |
| DESIGN   | L              | CLASS                           | F          | S.F.   | 1.15 |
| EFFICIENCY   | 60.7           | P.F.                            | 0.92       | IP RATING  | 55   |
| DE BRG   | 6203-2RZC3     | ODE BRG                         | 6203-2RZC3 |  |      |
| VOLT   | 115/208-230    | LBS                             | 20         |  |      |
| AMPS   | 3.83/2.12-1.92 | DUTY                            | CONT       |  |      |
| S.F.AMPS   | 3.9/2.17-2.09  | MAX AMB                         | 40 °C      |  |      |
| CONNECTION   | 6 Lead         | SER #                           |            |  |      |
| 115V<br>CCW LOW VOLTAGE CW   |                | 208-230V<br>CCW HIGH VOLTAGE CW |            |  |      |
| T1   | L1             | T1                              | T1         | L1   | T1   |
| T3   |                | T3                              | T3         |  | T3   |
| T8   |                | T5                              | T8         |  | T5   |
| T2   | L2             | T2                              | T2         |  | T2   |
| T4   |                | T4                              | T4         | L2   | T4   |
| T5   |                | T8                              | T5         |  | T8   |
| Hernando, MS<br>www.naemotors.com  |                | ISO9001<br>CERTIFIED            |            |   |      |

### APPLICATIONS:

General purpose use on pumps, fans, conveyors, poultry equipment, air compressors and other farm duty machinery requiring high starting torques.