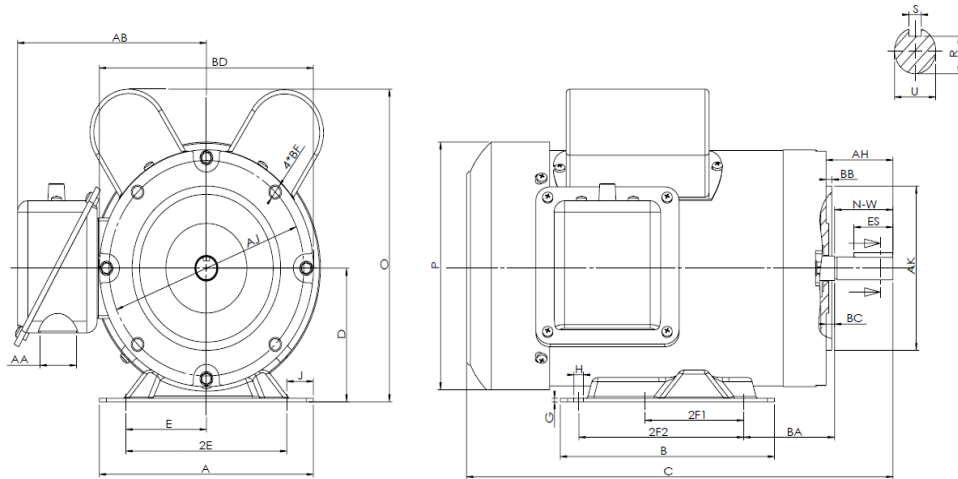




## F56C1S4C-MO

FARM DUTY ELECTRIC MOTOR  
 HIGH STARTING TORQUE - MANUAL OVERLOAD  
 SINGLE PHASE - CAPACITOR START / CAPACITOR RUN  
 ROLLED STEEL CONSTRUCTION  
 TOTALLY ENCLOSED FAN COOLED



### DIMENSIONS

HP	RPM	Frame	MOUNTING														
			A	B	C	D	G	H	J	E	2E	2F1	2F2	O	P	T	BA
1	1800	56C	6.3	4	11.5	3.5	0.12	0.34	0.71	2.44	4.88	3	NA	8	6.8	NA	2.75

FLANGE							Shaft Extension, Key Set					
AH	AJ	AK	BB	BC	BD	BF	U	V	R	S	ES	N-W
2.06	5.875	4.5	0.16	0.19	6.46	4*3/8-16	0.625	NA	0.517	0.188	1.41	1.88

Conduit Box		Bearings		Mount
AA	AB	DE	ODE	
1.1	5.75	6203-2RZC3	6203-2RZC3	F1

**BEARING LUBRICATION:** The bearings come lubricated with Mobil Polyrex EM Polyurea Grease.





## F56C1S4C-MO





**FARM DUTY ELECTRIC MOTOR**  
**HIGH STARTING TORQUE - MANUAL OVERLOAD**  
**SINGLE PHASE - CAPACITOR START / CAPACITOR RUN**  
**ROLLED STEEL CONSTRUCTION**  
**TOTALLY ENCLOSED FAN COOLED**

### PERFORMANCE DATA

HP	RPM	Frame	Voltage	Frequency (Hz)	Full Load S.F.	Insulation Class	NEMA Design	Slip (%)	NEMA Code	Enclosure Type	IP Rating	Max. Ambient
1	1760	56C	115/208-230	60	1.15	F	L	2.2	K	TEFC	55	40 °C

Amps (230V)		Efficiency (%)			Power Factor			Torque (ft-lb)			DE Bearing	ODE Bearing	Connection	Weight (lbs.)
FLA	LRA	100%	75%	50%	100%	75%	50%	FLT	LRT %	BDT %				
4.54	34.8	77.6	72.3	64.4	0.92	0.89	0.83	3	302	302	6203-2RZC3	6203-2RZC3	5 Lead/P1,P2	36

### NAME PLATE

 <b>FARM DUTY</b> <b>SINGLE PHASE AC ELECTRIC MOTOR</b> <b>HIGH STARTING TORQUE</b> <b>MANUAL OVERLOAD PROTECTION</b>																																							
MODEL	F56C1S4C-MO	HP	1																																				
FRAME	56C	ENCL	TEFC																																				
RPM	1760	CODE	K																																				
DESIGN	L	CLASS	F																																				
EFFICIENCY	77.6	P.F.	0.92																																				
DE BRG	6203-2RZC3	ODE BRG	6203-2RZC3																																				
VOLT	115/208-230	LBS	36																																				
AMPS	9.09/5.02-4.54	DUTY	CONT																																				
S.F.AMPS	10.04/5.5-5.14	MAX AMB	40 °C																																				
CONNECTION	5 Lead/P1,P2	SER #																																					
<table border="0"> <tr> <td colspan="2">115V LOW VOLTAGE</td> <td colspan="2">208-230V HIGH VOLTAGE</td> </tr> <tr> <td>CGW</td> <td>L1</td> <td>CGW</td> <td>L1</td> </tr> <tr> <td>P1</td> <td>P1</td> <td>P1</td> <td>P1</td> </tr> <tr> <td>P2</td> <td>P2</td> <td>P2</td> <td>P2</td> </tr> <tr> <td>T3</td> <td>T3</td> <td>T2</td> <td>T2</td> </tr> <tr> <td>T8</td> <td>T5</td> <td>T3</td> <td>T3</td> </tr> <tr> <td>T2</td> <td>T2</td> <td>T8</td> <td>T5</td> </tr> <tr> <td>T4</td> <td>T4</td> <td>T4</td> <td>T4</td> </tr> <tr> <td>T5</td> <td>T8</td> <td>T5</td> <td>T8</td> </tr> </table>				115V LOW VOLTAGE		208-230V HIGH VOLTAGE		CGW	L1	CGW	L1	P1	P1	P1	P1	P2	P2	P2	P2	T3	T3	T2	T2	T8	T5	T3	T3	T2	T2	T8	T5	T4	T4	T4	T4	T5	T8	T5	T8
115V LOW VOLTAGE		208-230V HIGH VOLTAGE																																					
CGW	L1	CGW	L1																																				
P1	P1	P1	P1																																				
P2	P2	P2	P2																																				
T3	T3	T2	T2																																				
T8	T5	T3	T3																																				
T2	T2	T8	T5																																				
T4	T4	T4	T4																																				
T5	T8	T5	T8																																				
Hernando, MS www.naemotors.com   																																							

### APPLICATIONS:

General purpose use on pumps, fans, conveyors, poultry equipment, air compressors and other farm duty machinery requiring high starting torques.