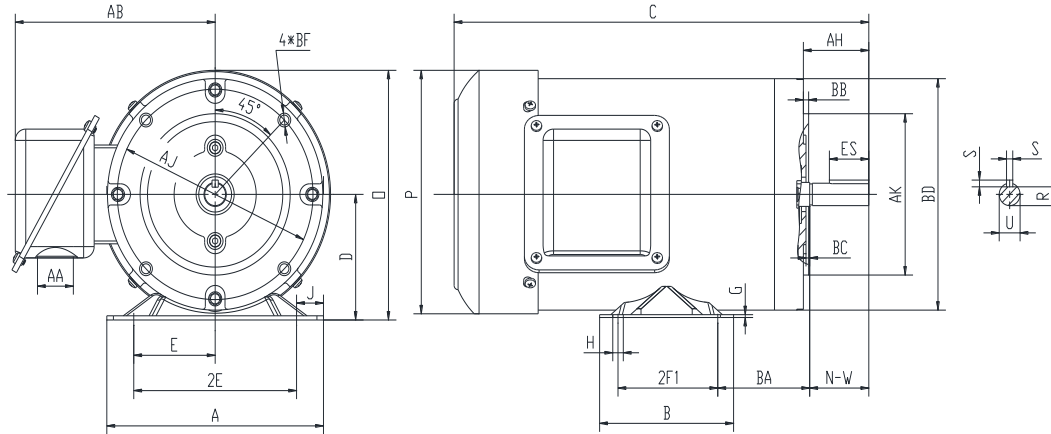




F56C3/4M4A

GENERAL PURPOSE ELECTRIC MOTOR
HIGH EFFICIENCY / EISA COMPLIANT
ROLLED STEEL CONSTRUCTION
TOTALLY ENCLOSED FAN COOLED
INVERTER RATED (10:1 VT; 5:1 CT)



DIMENSIONS

HP	RPM	Frame	MOUNTING														
			A	B	C	D	G	H	J	E	2E	2F1	2F2	O	P	T	BA
3/4	1800	56C	6.3	4	10.7	3.5	0.12	0.34	0.71	2.44	4.88	3	NA	7	6.8	NA	2.75

FLANGE							Shaft Extension, Key Set						
AH	AJ	AK	BB	BC	BD	BF	U	V	R	S	ES	N-W	
2.06	5.875	4.5	0.16	0.19	6.46	4*3/8-16	0.625	NA	0.517	0.188	1.41	1.88	

Conduit Box		Bearings		Mount
AA	AB	DE	ODE	
1.1	6	6203-2RZC3	6203-2RZC3	F1

BEARING LUBRICATION: The bearings come lubricated with Mobil Polyrex EM Polyurea Grease.





F56C3/4M4A

GENERAL PURPOSE ELECTRIC MOTOR
HIGH EFFICIENCY / EISA COMPLIANT
ROLLED STEEL CONSTRUCTION
TOTALLY ENCLOSED FAN COOLED
INVERTER RATED (10:1 VT; 5:1 CT)

PERFORMANCE DATA

HP	RPM	Frame	Voltage	Frequency (Hz)	Full Load S.F.	Insulation Class	NEMA Design	Slip (%)	NEMA Code	Enclosure Type	IP Rating	Max. Ambient
3/4	1735	56C	230/460	60	1.15	F	B	3.6	L	TEFC	55	40 °C

Amps (460V)		Efficiency (%)			Power Factor			Torque (ft-lb)			DE Bearing	ODE Bearing	Connection	Weight (lbs.)
FLA	LRA	100%	75%	50%	100%	75%	50%	FLT	LRT %	BDT %				
1.18	5.66	80.7	79.5	76.0	0.73	0.64	0.51	2.26	205	207	6203-2RZC3	6203-2RZC3	9 Lead 2Y/Y	23

*Usable at 208 Volts

NAME PLATE

THREE PHASE AC INDUCTION MOTOR									
CAT NO: F56C3/4M4A		FRAME 56C	PH 3	<div style="text-align: center;">230V</div>					
HZ 60	S.F. 1.15	ENCL TEFC	IP 55						
HP 3/4	RPM 1735	DUTY CONT	DES B						
VOLT 230/460		AMB 40 °C	INS F						
FLA 2.34/1.17		DE BRG 6203-2RZC3		<div style="text-align: center;">460V</div>					
CODE L	P.F. 0.73	ODE BRG 6203-2RZC3							
EFF 80.7	MIN 57.4	LBS 23							
CONNECTION 9 Lead 2Y/Y		SER NO.							
Hernando, MS www.naemotors.com									

APPLICATIONS:

General purpose use on pumps, fans, blowers, compressors, conveyors, material handling and other industrial machinery installed in damp, dusty or dirty environments.