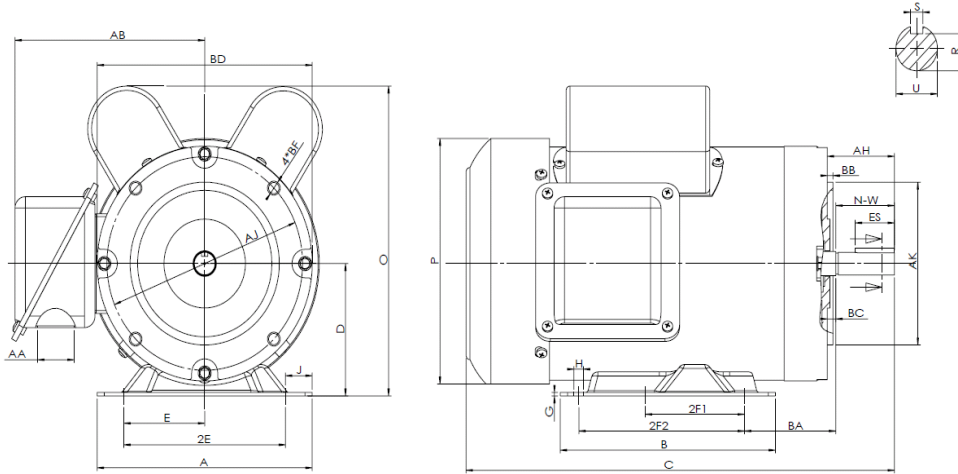




F56C3/4S4C

GENERAL PURPOSE ELECTRIC MOTOR
 SINGLE PHASE - CAPACITOR START / CAPACITOR RUN
 ROLLED STEEL CONSTRUCTION
 TOTALLY ENCLOSED FAN COOLED



DIMENSIONS

HP	RPM	Frame	MOUNTING														
			A	B	C	D	G	H	J	E	2E	2F1	2F2	O	P	T	BA
3/4	1800	56C	6.3	4	11.5	3.5	0.12	0.34	0.71	2.44	4.88	3	NA	8	6.8	NA	2.75

FLANGE							Shaft Extension, Key Set					
AH	AJ	AK	BB	BC	BD	BF	U	V	R	S	ES	N-W
2.06	5.875	4.5	0.16	0.19	6.46	4*3/8-16	0.625	NA	0.517	0.188	1.41	1.88

Conduit Box		Bearings		Mount
AA	AB	DE	ODE	
1.1	5.75	6203-2RZC3	6203-2RZC3	F1

BEARING LUBRICATION: The bearings come lubricated with Mobil Polyrex EM Polyurea Grease.





F56C3/4S4C


GENERAL PURPOSE ELECTRIC MOTOR
 SINGLE PHASE - CAPACITOR START / CAPACITOR RUN
 ROLLED STEEL CONSTRUCTION
 TOTALLY ENCLOSED FAN COOLED

PERFORMANCE DATA

HP	RPM	Frame	Voltage	Frequency (Hz)	Full Load S.F.	Insulation Class	NEMA Design	Slip (%)	NEMA Code	Enclosure Type	IP Rating	Max. Ambient
3/4	1760	56C	115/208-230	60	1.15	F	L	2.2	L	TEFC	55	40 °C

Amps (230V)		Efficiency (%)			Power Factor			Torque (ft-lb)			DE Bearing	ODE Bearing	Connection	Weight (lbs.)
FLA	LRA	100%	75%	50%	100%	75%	50%	FLT	LRT %	BDT %				
3.66	27.6	74.6	68.6	58.4	0.89	0.85	0.79	2.22	310	333	6203-2RZC3	6203-2RZC3	6 Lead	33

NAME PLATE

		SINGLE PHASE AC ELECTRIC MOTOR			
MODEL	F56C3/4S4C	HP	3/4		
FRAME	56C	ENCL	TEFC	PH	1
RPM	1760	CODE	L	HZ	60
DESIGN	L	CLASS	F	S.F.	1.15
EFFICIENCY	74.6	P.F.	0.89	IP RATING	55
DE BRG	6203-2RZC3		ODE BRG	6203-2RZC3	
VOLT	115/208-230		LBS	33	
AMPS	7.33/4.05-3.66		DUTY	CONT	
S.F.AMPS	7.78/4.09-3.96		MAX AMB	40 °C	
CONNECTION	6 Lead		SER #		
115V CCW LOW VOLTAGE CW		208-230V CCW HIGH VOLTAGE CW			
T1	L1	T1	T1	L1	T1
T3		T3	T3		T3
T8		T5	T8		T5
T2	L2	T2	T2	L2	T2
T4		T4	T4		T4
T5		T8	T5		T8
Hernando, MS www.naemotors.com		ISO9001 CERTIFIED CE SP C US 601196			

APPLICATIONS:

General purpose use on pumps, fans, conveyors, poultry equipment, air compressors and other farm duty machinery requiring high starting torques.