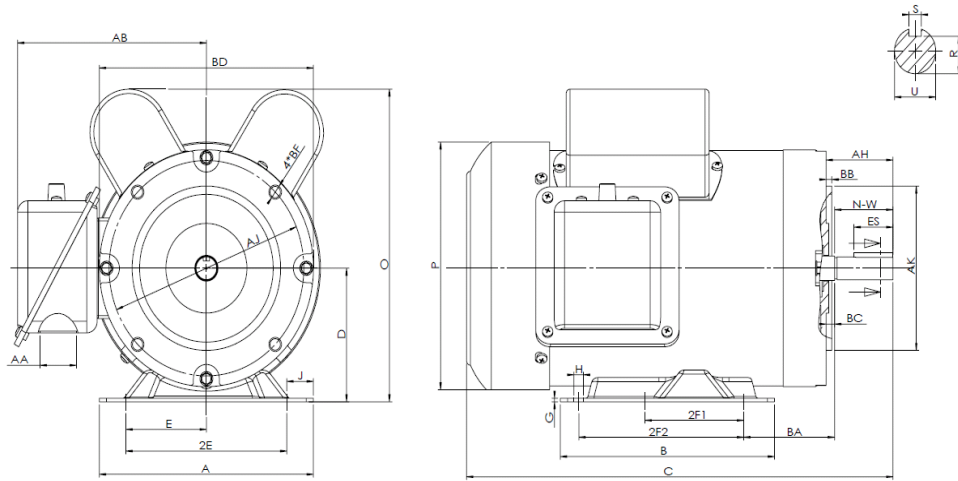




F56CH2S4C-MO

FARM DUTY ELECTRIC MOTOR
 HIGH STARTING TORQUE - MANUAL OVERLOAD
 SINGLE PHASE - CAPACITOR START / CAPACITOR RUN
 ROLLED STEEL CONSTRUCTION
 TOTALLY ENCLOSED FAN COOLED



DIMENSIONS

| HP | RPM | Frame | MOUNTING | | | | | | | | | | | | | | |
|----|------|-------|----------|-----|------|-----|------|------|------|------|------|-----|-----|---|-----|----|------|
| | | | A | B | C | D | G | H | J | E | 2E | 2F1 | 2F2 | O | P | T | BA |
| 2 | 1800 | 56CH | 6.5 | 6.5 | 13.7 | 3.5 | 0.12 | 0.34 | 0.81 | 2.44 | 4.88 | 3 | 5 | 8 | 6.8 | NA | 2.75 |

| FLANGE | | | | | | | Shaft Extension, Key Set | | | | | |
|--------|-------|-----|------|------|------|----------|--------------------------|----|-------|-------|------|------|
| AH | AJ | AK | BB | BC | BD | BF | U | V | R | S | ES | N-W |
| 2.06 | 5.875 | 4.5 | 0.16 | 0.19 | 6.46 | 4*3/8-16 | 0.625 | NA | 0.517 | 0.188 | 1.41 | 1.88 |

| Conduit Box | | Bearings | | Mount |
|-------------|------|------------|------------|-------|
| AA | AB | DE | ODE | |
| 1.1 | 5.75 | 6203-2RZC3 | 6203-2RZC3 | |

BEARING LUBRICATION: The bearings come lubricated with Mobil Polyrex EM Polyurea Grease.





F56CH2S4C-MO





FARM DUTY ELECTRIC MOTOR
HIGH STARTING TORQUE - MANUAL OVERLOAD
SINGLE PHASE - CAPACITOR START / CAPACITOR RUN
ROLLED STEEL CONSTRUCTION
TOTALLY ENCLOSED FAN COOLED

PERFORMANCE DATA

| HP | RPM | Frame | Voltage | Frequency (Hz) | Full Load S.F. | Insulation Class | NEMA Design | Slip (%) | NEMA Code | Enclosure Type | IP Rating | Max. Ambient |
|----|------|-------|-------------|----------------|----------------|------------------|-------------|----------|-----------|----------------|-----------|--------------|
| 2 | 1750 | 56CH | 115/208-230 | 60 | 1.15 | F | L | 2.8 | H | TEFC | 55 | 40 °C |

| Amps (230V) | | Efficiency (%) | | | Power Factor | | | Torque (ft-lb) | | | DE Bearing | ODE Bearing | Connection | Weight (lbs.) |
|-------------|------|----------------|------|------|--------------|------|------|----------------|-------|-------|------------|-------------|--------------|---------------|
| FLA | LRA | 100% | 75% | 50% | 100% | 75% | 50% | FLT | LRT % | BDT % | | | | |
| 8.08 | 53.9 | 83.6 | 81.6 | 76.3 | 0.96 | 0.96 | 0.93 | 6.04 | 266 | 229 | 6203-2RZC3 | 6203-2RZC3 | 5 Lead/P1,P2 | 52 |

NAME PLATE

|  FARM DUTY SINGLE PHASE AC ELECTRIC MOTOR HIGH STARTING TORQUE MANUAL OVERLOAD PROTECTION | | | | | | | |
|---|----------------------------------|-----------|------------|---------------------|--------------------------|-----------------------------------|----------------------------------|
| MODEL | F56CH2S4C-MO | HP | 2 | | | | |
| FRAME | 56CH | ENCL | TEFC | | | | |
| RPM | 1750 | PH | 1 | | | | |
| DESIGN | L | CODE | H | | | | |
| | | HZ | 60 | | | | |
| CLASS | F | S.F. | 1.15 | | | | |
| EFFICIENCY | 83.6 | P.F. | 0.96 | | | | |
| | | IP RATING | 55 | | | | |
| DE BRG | 6203-2RZC3 | ODE BRG | 6203-2RZC3 | | | | |
| VOLT | 115/208-230 | LBS | 52 | | | | |
| AMPS | 16.17/8.94-8.08 | DUTY | CONT | | | | |
| S.F.AMPS | 18.5/10.46-9.38 | MAX AMB | 40 °C | | | | |
| CONNECTION | 5 Lead/P1,P2 | SER # | | | | | |
| <table style="width:100%; border:none;"> <tr> <td style="text-align:center;">115V LOW VOLTAGE</td> <td style="text-align:center;">208-230V HIGH VOLTAGE</td> </tr> <tr> <td style="text-align:center;"> CGW P1 P2 T3 T8 T2 T4 T5 L1 L2 </td> <td style="text-align:center;"> CW P1 P2 T3 T5 T8 T4 T5 L1 L2 </td> </tr> </table> | | | | 115V LOW VOLTAGE | 208-230V HIGH VOLTAGE | CGW P1 P2 T3 T8 T2 T4 T5 L1 L2 | CW P1 P2 T3 T5 T8 T4 T5 L1 L2 |
| 115V LOW VOLTAGE | 208-230V HIGH VOLTAGE | | | | | | |
| CGW P1 P2 T3 T8 T2 T4 T5 L1 L2 | CW P1 P2 T3 T5 T8 T4 T5 L1 L2 | | | | | | |
| Hernando, MS www.naemotors.com    | | | | | | | |

APPLICATIONS:

General purpose use on pumps, fans, conveyors, poultry equipment, air compressors and other farm duty machinery requiring high starting torques.