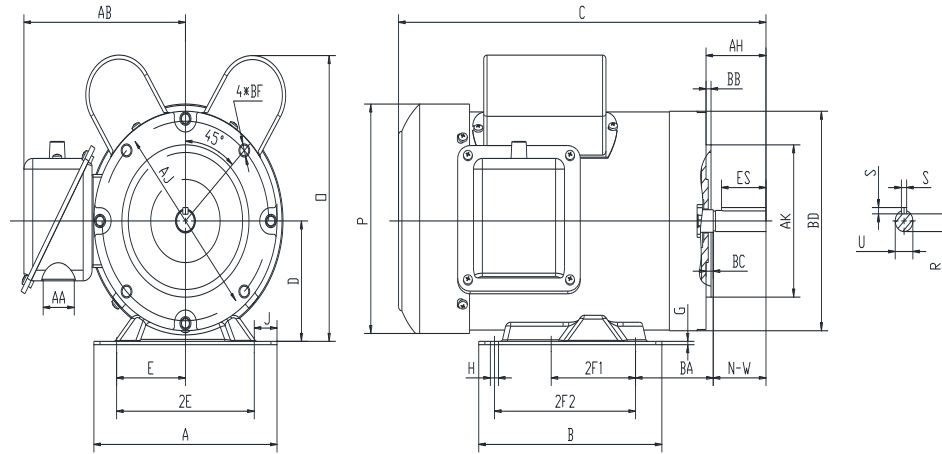




F56CH2S4C-MO

FARM DUTY ELECTRIC MOTOR
 HIGH STARTING TORQUE - MANUAL OVERLOAD
 SINGLE PHASE - CAPACITOR START / CAPACITOR RUN
 ROLLED STEEL CONSTRUCTION
 TOTALLY ENCLOSED FAN COOLED



DIMENSIONS

HP	RPM	Frame	MOUNTING														
			A	B	C	D	G	H	J	E	2E	2F1	2F2	O	P	T	BA
2	1800	56CH	6.5	6.5	13.7	3.5	0.12	0.34	0.81	2.44	4.88	3	5	8	6.8	NA	2.75

FLANGE							Shaft Extension, Key Set					
AH	AJ	AK	BB	BC	BD	BF	U	V	R	S	ES	N-W
2.06	5.875	4.5	0.16	0.19	6.46	4*3/8-16	0.625	NA	0.517	0.188	1.41	1.88

Conduit Box		Bearings		Mount
AA	AB	DE	ODE	
1.1	6	6203-2RZC3	6203-2RZC3	F1

BEARING LUBRICATION: The bearings come lubricated with Mobil Polyrex EM Polyurea Grease.





F56CH2S4C-MO





FARM DUTY ELECTRIC MOTOR
HIGH STARTING TORQUE - MANUAL OVERLOAD
SINGLE PHASE - CAPACITOR START / CAPACITOR RUN
ROLLED STEEL CONSTRUCTION
TOTALLY ENCLOSED FAN COOLED

PERFORMANCE DATA

HP	RPM	Frame	Voltage	Frequency (Hz)	Full Load S.F.	Insulation Class	NEMA Design	Slip (%)	NEMA Code	Enclosure Type	IP Rating	Max. Ambient
2	1750	56CH	115/208-230	60	1.15	F	L	2.8	H	TEFC	55	40 °C

Amps (230V)		Efficiency (%)			Power Factor			Torque (ft-lb)			DE Bearing	ODE Bearing	Connection	Weight (lbs.)
FLA	LRA	100%	75%	50%	100%	75%	50%	FLT	LRT %	BDT %				
8.13	53.9	83.6	81.6	76.3	0.96	0.96	0.93	6.04	266	229	6203-2RZC3	6203-2RZC3	5 Lead/P1,P2	52

NAME PLATE

 FARM DUTY SINGLE PHASE AC ELECTRIC MOTOR HIGH STARTING TORQUE MANUAL OVERLOAD PROTECTION																															
MODEL	F56CH2S4C-MO	HP	2																												
FRAME	56CH	ENCL	TEFC																												
RPM	1750	PH	1																												
DESIGN	L	CODE	H																												
		HZ	60																												
CLASS	F	S.F.	1.15																												
EFFICIENCY	83.6	P.F.	0.96																												
		IP RATING	55																												
DE BRG	6203-2RZC3	ODE BRG	6203-2RZC3																												
VOLT	115/208-230	LBS	52																												
AMPS	16.08/8.93-8.13	DUTY	CONT																												
S.F.AMPS	18.5/10.3-9.4	MAX AMB	40 °C																												
CONNECTION	5 Lead/P1,P2	SER #																													
<table border="0"> <tr> <td colspan="2">115V LOW VOLTAGE</td> <td colspan="2">208-230V HIGH VOLTAGE</td> </tr> <tr> <td>CGW</td> <td>CW</td> <td>CGW</td> <td>CW</td> </tr> <tr> <td>P1 — L1 — P1</td> <td>P1 — L1 — P1</td> <td>P1 — L1 — P1</td> <td>P1 — L1 — P1</td> </tr> <tr> <td>P2 — T3 — T2</td> <td>P2 — T3 — T2</td> <td>P2 — T3 — T2</td> <td>P2 — T3 — T2</td> </tr> <tr> <td>T8 — T5 — T8</td> <td>T8 — T5 — T8</td> <td>T8 — T5 — T8</td> <td>T8 — T5 — T8</td> </tr> <tr> <td>T2 — T4 — T4</td> <td>T2 — T4 — T4</td> <td>T2 — T4 — T4</td> <td>T2 — T4 — T4</td> </tr> <tr> <td>T5 — T8 — T8</td> <td>T5 — T8 — T8</td> <td>T5 — T8 — T8</td> <td>T5 — T8 — T8</td> </tr> </table>				115V LOW VOLTAGE		208-230V HIGH VOLTAGE		CGW	CW	CGW	CW	P1 — L1 — P1	P1 — L1 — P1	P1 — L1 — P1	P1 — L1 — P1	P2 — T3 — T2	P2 — T3 — T2	P2 — T3 — T2	P2 — T3 — T2	T8 — T5 — T8	T8 — T5 — T8	T8 — T5 — T8	T8 — T5 — T8	T2 — T4 — T4	T2 — T4 — T4	T2 — T4 — T4	T2 — T4 — T4	T5 — T8 — T8	T5 — T8 — T8	T5 — T8 — T8	T5 — T8 — T8
115V LOW VOLTAGE		208-230V HIGH VOLTAGE																													
CGW	CW	CGW	CW																												
P1 — L1 — P1	P1 — L1 — P1	P1 — L1 — P1	P1 — L1 — P1																												
P2 — T3 — T2	P2 — T3 — T2	P2 — T3 — T2	P2 — T3 — T2																												
T8 — T5 — T8	T8 — T5 — T8	T8 — T5 — T8	T8 — T5 — T8																												
T2 — T4 — T4	T2 — T4 — T4	T2 — T4 — T4	T2 — T4 — T4																												
T5 — T8 — T8	T5 — T8 — T8	T5 — T8 — T8	T5 — T8 — T8																												
Hernando, MS www.naemotors.com   																															

APPLICATIONS:

General purpose use on pumps, fans, conveyors, poultry equipment, air compressors and other farm duty machinery requiring high starting torques.