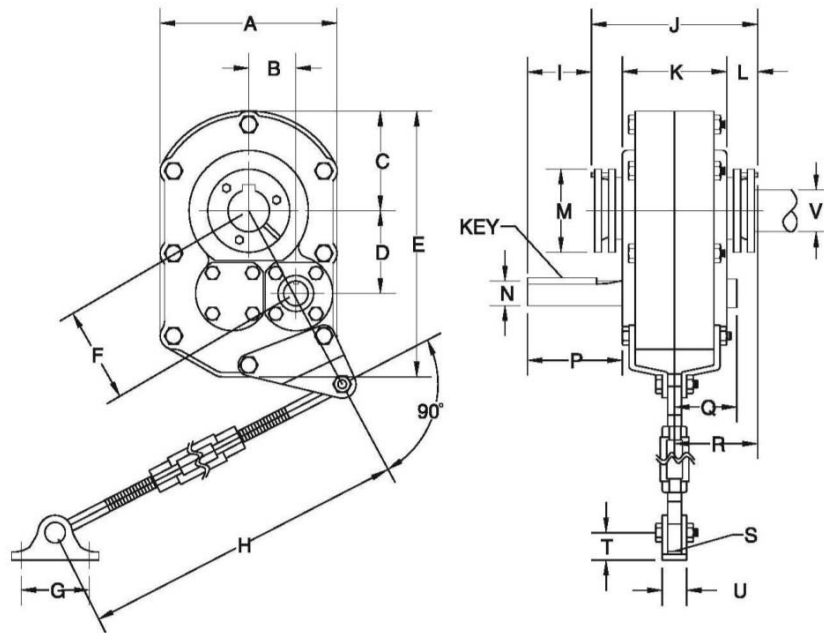




NBS-203-3-15

SHAFT MOUNT GEAR REDUCER

BOX SIZE 3
 RATIO 15:1



Box Size	Ratio	DIMENSIONS										
		A	B	C	D	E	F	G	H min/max	I	J	K
3	15:1	9.25	2.33	4.84	4.17	12.88	4.78	3.00	26.94 / 32.94	2.34	9.22	5.63

DIMENSIONS							INPUT SHAFT			Weight (Lbs.)
L	M	R	S	T	U	V Max Dia	N Dia	P	Key	
1.59	4.38	3.72	0.44	1.06	1.25	2-3/16"	1.25	4.34	1/4 x 1/4 x 2-7/8	98

NOTE: Torque Arm is included with shaft mount gear reducer.

Optional accessories include:

Belt Guard

Motor Mount

Backstops

Tapered Bushings

Screw Conveyor Adaptor

ISO9001
 CERTIFIED

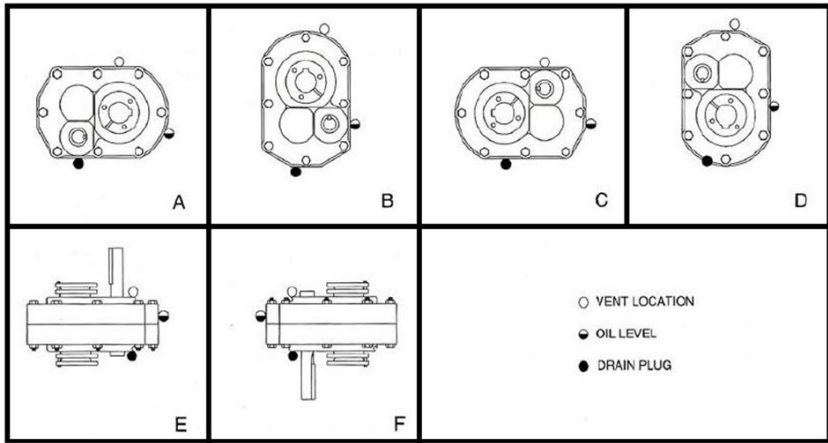
NBS-203-3-15

SHAFT MOUNT GEAR REDUCER

BOX SIZE 3
 RATIO 15:1

LUBRICATION INSTRUCTIONS

MOUNTING POSITION	A	B	C	D	E	F
QUARTS	1.500	1.500	0.750	2.300	2.620	3.000
LITERS	1.400	1.400	0.710	2.100	2.480	2.840



CAUTION

North American Electric Shaft Mount Gear Reducers are SHIPPED WITHOUT OIL. The Reducer must be filled with the proper amount of oil according to the mounting position table above. Failure to fill the case with oil could result in the failure of the reducer and damage to the associated equipment.