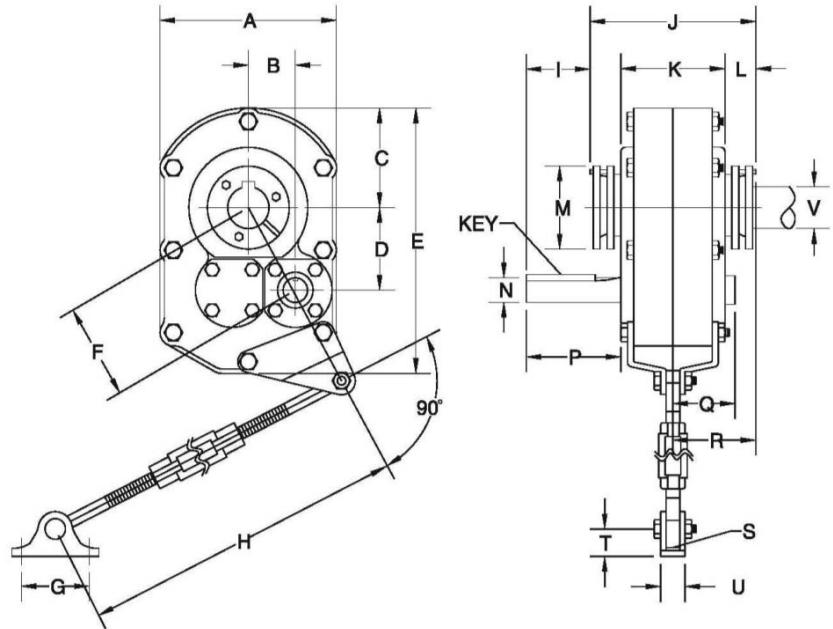


NBS-315-7-15

SHAFT MOUNT GEAR REDUCER

BOX SIZE	<u>7</u>
RATIO	<u>15:1</u>



Box Size	Ratio	DIMENSIONS										
		A	B	C	D	E	F	G	H min/max	I	J	K
7	15:1	18.75	5.11	9.38	8.30	25.94	9.74	4.75	29.44 / 35.44	3.75	12.85	7.75

DIMENSIONS							INPUT SHAFT			Weight (Lbs.)
L	M	R	S	T	U	V Max Dia	N Dia	P	Key	
2.50	7.25	6.38	0.63	2.00	2.75	3-15/16"	2.44	6.35	5/8 x 5/8 x 4-3/4	462

NOTE: Torque Arm is included with shaft mount gear reducer.

Optional accessories include:

- Belt Guard**
- Motor Mount**
- Backstops**
- Tapered Bushings**
- Screw Conveyor Adaptor**



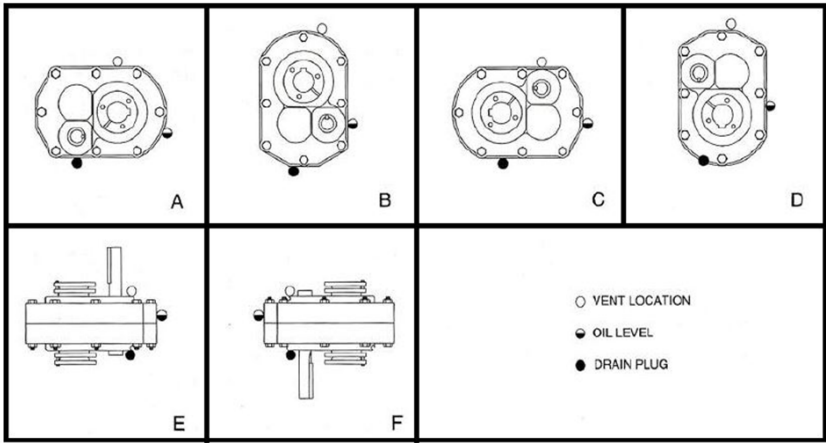
NBS-315-7-15

SHAFT MOUNT GEAR REDUCER

BOX SIZE 7
 RATIO 15:1

LUBRICATION INSTRUCTIONS

MOUNTING POSITION	A	B	C	D	E	F
QUARTS	6.500	8.000	7.250	9.300	15.400	16.400
LITERS	6.100	7.600	6.860	8.800	14.600	15.500



CAUTION

North American Electric Shaft Mount Gear Reducers are SHIPPED WITHOUT OIL. The Reducer must be filled with the proper amount of oil according to the mounting position table above. Failure to fill the case with oil could result in the failure of the reducer and damage to the associated equipment.