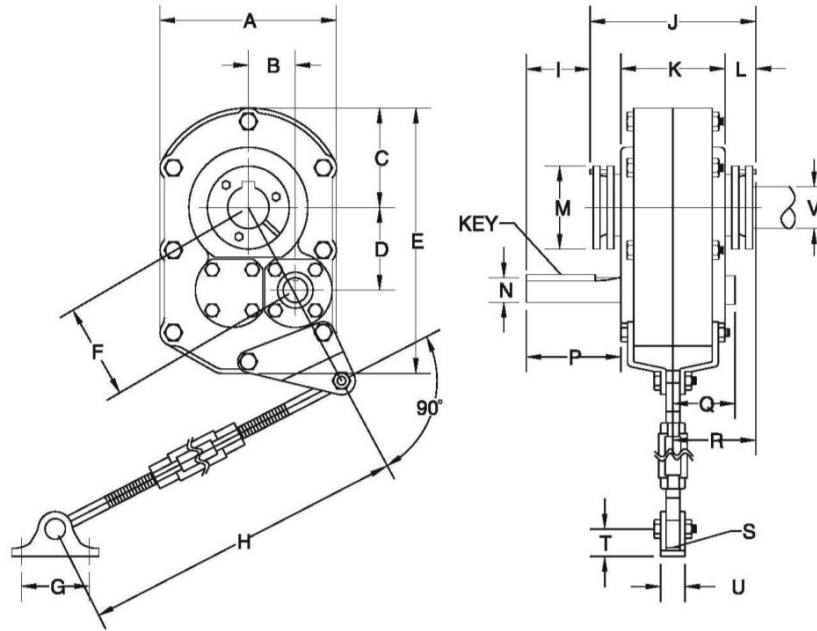


**NBS-415-9-25**

**SHAFT MOUNT GEAR REDUCER**

BOX SIZE 9  
 RATIO 25:1



Box Size	Ratio	DIMENSIONS										
		A	B	C	D	E	F	G	H min/max	I	J	K
9	25:1	22.63	6.59	11.31	10.81	31.69	12.66	7.00	30.00/ 36.00	6.62	14.12	9.27

DIMENSIONS							INPUT SHAFT			Weight (Lbs.)
L	M	R	S	T	U	V Max Dia	N Dia	P	Key	
2.81	8.75	7.22	0.75	3.13	4.00	4-15/16"	2.44	9.65	5/8 x 5/16 x 7-3/4	760

**NOTE: Torque Arm is included with shaft mount gear reducer.**

**Optional accessories include:**

- Belt Guard**
- Motor Mount**
- Backstops**
- Tapered Bushings**
- Screw Conveyor Adaptor**



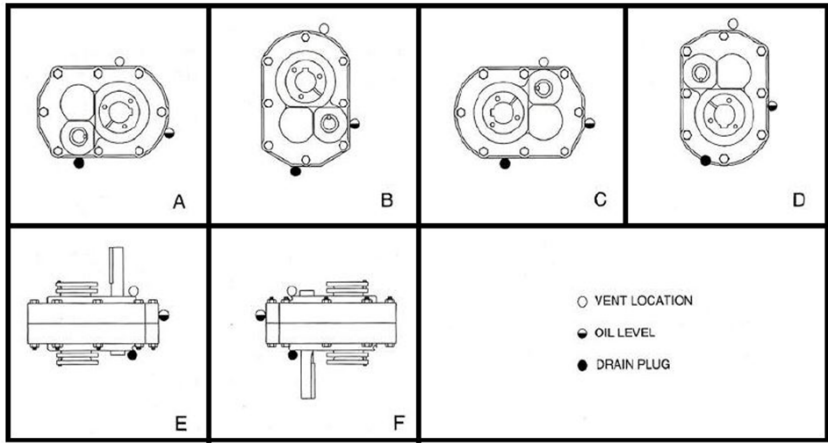
**NBS-415-9-25**

**SHAFT MOUNT GEAR REDUCER**

BOX SIZE 9  
 RATIO 25:1

**LUBRICATION INSTRUCTIONS**

MOUNTING POSITION	A	B	C	D	E	F
QUARTS	13.000	13.000	12.500	14.250	25.375	25.375
LITERS	12.300	12.300	11.830	13.480	24.000	24.000



**CAUTION**

**North American Electric Shaft Mount Gear Reducers are SHIPPED WITHOUT OIL. The Reducer must be filled with the proper amount of oil according to the mounting position table above. Failure to fill the case with oil could result in the failure of the reducer and damage to the associated equipment.**