



## OWP254T-5-8

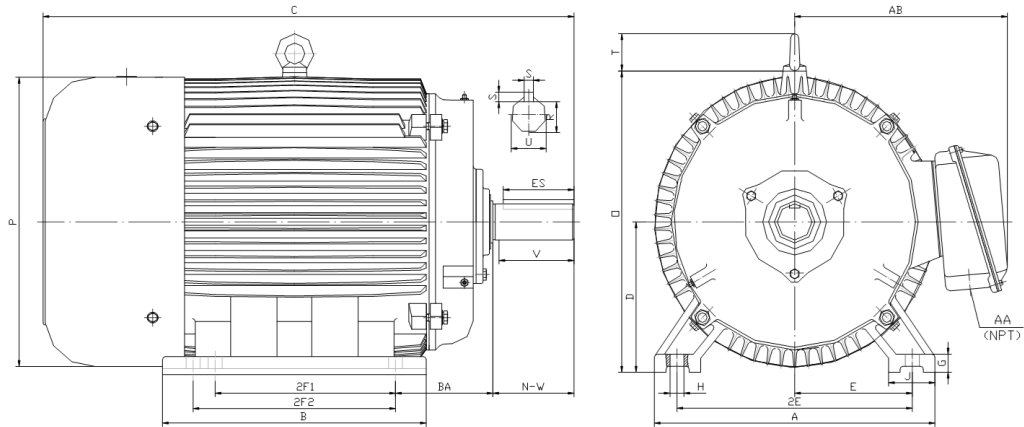
**OIL WELL PUMP MOTOR**

**HIGH TORQUE / HIGH SLIP (5 - 8%)**

**TOTALLY ENCLOSED FAN COOLED**

**INVERTER DUTY 10:1 CONSTANT TORQUE - NEMA MG1 PART 31**

**Factory Certified for T2B Class I, Division II, Groups A,B,C & D and Class II, Division II, Groups F & G**



### DIMENSIONS

HP	RPM	Frame	MOUNTING														
			A	B	C	D	G	H	J	E	2E	2F1	2F2	O	P	T	BA
5	900	254T	13	10.45	23.2	6.25	0.7	0.53	2.75	5	10	8.25	NA	13	12.4	2.2	4.25

Shaft Extension, Key Set						Conduit Box		Bearings		Mount
U	V	R	S	ES	N-W	AA	AB	DE	ODE	
1.625	3.75	1.416	0.375	2.91	4	1.25	10.1	6309	6309	F2

**BEARING LUBRICATION:** The bearings come lubricated with Mobil Polyrex EM Polyurea Grease. It is recommended that you add some additional lubrication when the motor is installed.

Three options (brands) for suitable lubrication include, but are not limited to, the following:

- 1.) Mobil Polyrex EM
- 2.) Citco Polyurea MP
- 3.) Conoco Phillips Polytac EP





## OWP254T-5-8

**OIL WELL PUMP MOTOR**

**HIGH TORQUE / HIGH SLIP (5 - 8%)**

**TOTALLY ENCLOSED FAN COOLED**

**INVERTER DUTY 10:1 CONSTANT TORQUE - NEMA MG1 PART 31**

**Factory Certified for T2B Class I, Division II, Groups A,B,C & D and Class II, Division II, Groups F & G**

### PERFORMANCE DATA

HP	RPM	Frame	Voltage	Frequency (Hz)	Full Load S.F.	Insulation Class	NEMA Design	Slip (%)	NEMA Code	Enclosure Type	IP Rating	Max. Ambient
5	855	254T	230/460/796	60	1.15	F	D	5.0	J	TEFC	55	40 °C

Amps (460V)		Efficiency (%)			Power Factor			Torque (ft-lb)			DE Bearing	ODE Bearing	Connection	Weight (lbs.)
FLA	LRA	100%	75%	50%	100%	75%	50%	FLT	LRT %	BDT %				
9	46	81.5	81.0	78.0	0.65	0.55	0.42	31.5	290	300	6309	6309	12 Lead 2Δ/Δ/Y	191

### NAME PLATE

TYPE		TEFC	MODEL	OWP254T-5-8	S.F.	1.15			
HP	5	FRAME	254T	EFF	81.5				
RPM	855	VOLTS	230/460/796	P.F.	0.65				
INS	F	AMPS	18/9/5.2	CODE	J				
PH	3	MAX AMB	40 °C	DE BRG	6309				
HZ	60	S/N		ODE BRG	6309				
WT/LBS	191	DESIGN	D	CONNECTION	12 Lead 2Δ/Δ/Y				
Thermo-protection 155°C (PT1,PT2)				LUB	Mobil Polyrex EM				
Designed Specifically for use on Oil Well Pumping Units									
Hernando, Mississippi									

### APPLICATIONS:

Designed Specifically for use on Oil Well Pumping Units. Suitable for use on Variable Frequency Drives (VFDs).