



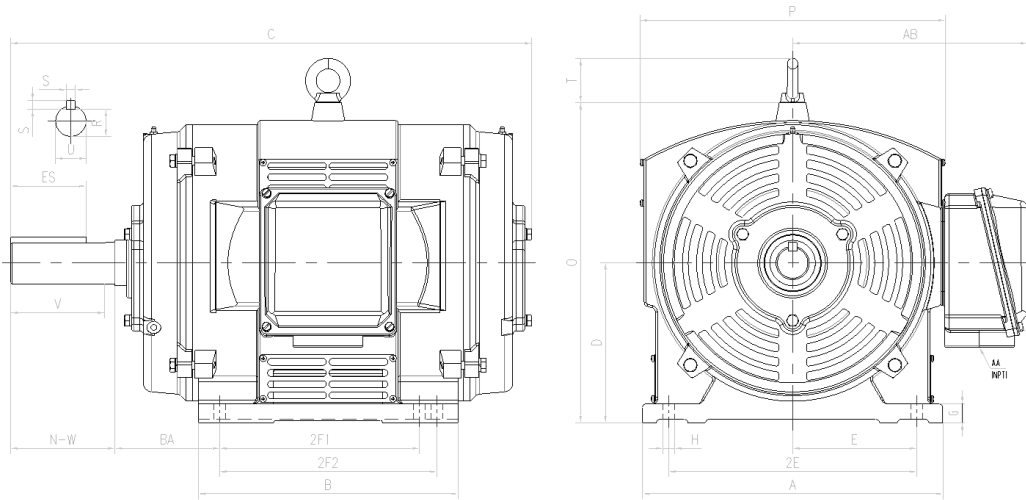
OWP254T-7.5-6-ODP

OIL WELL PUMP MOTOR

HIGH TORQUE / HIGH SLIP (5 - 8%)

OPEN DRIP PROOF

INVERTER DUTY 10:1 CONSTANT TORQUE - NEMA MG1 PART 31



DIMENSIONS

HP	RPM	Frame	MOUNTING														
			A	B	C	D	G	H	J	E	2E	2F1	2F2	O	P	T	BA
7.5	1200	254T	11.85	11.65	22.15	6.25	0.7	0.53	NA	5	10	8.25	10	13	12.9	2.2	4.25

Shaft Extension, Key Set						Conduit Box		Bearings		Mount
U	V	R	S	ES	N-W	AA	AB	DE	ODE	
1.625	3.75	1.416	0.375	2.91	4	1.25	9.4	6309	6309	F2

BEARING LUBRICATION: The bearings come lubricated with Mobil Polyrex EM Polyurea Grease. It is recommended that you add some additional lubrication when the motor is installed.

Three options (brands) for suitable lubrication include, but are not limited to, the following:

- 1.) Mobil Polyrex EM
- 2.) Citco Polyurea MP
- 3.) Conoco Phillips Polytac EP





OWP254T-7.5-6-ODP

OIL WELL PUMP MOTOR

HIGH TORQUE / HIGH SLIP (5 - 8%)

OPEN DRIP PROOF

INVERTER DUTY 10:1 CONSTANT TORQUE - NEMA MG1 PART 31

PERFORMANCE DATA

HP	RPM	Frame	Voltage	Frequency (Hz)	Full Load S.F.	Insulation Class	NEMA Design	Slip (%)	NEMA Code	Enclosure Type	IP Rating	Max. Ambient
7.5	1130	254T	230/460/796	60	1.15	F	D	5.8	H	ODP	23	40 °C

Amps (460V)		Efficiency (%)			Power Factor			Torque (ft-lb)			DE Bearing	ODE Bearing	Connection	Weight (lbs.)
FLA	LRA	100%	75%	50%	100%	75%	50%	FLT	LRT %	BDT %				
14.5	63	78.5	78.0	75.0	0.64	0.55	0.42	34.7	275	300	6309	6309	12 Lead 2Δ/Δ/Y	217

NAME PLATE

TYPE		ODP	MODEL	OWP254T-7.5-6-ODP	S.F.	1.15	
HP	7.5	FRAME	254T	EFF	78.5		
RPM	1130	VOLTS	230/460/796	P.F.	0.64		
INS	F	AMPS	29/14.5/8.4	CODE	H		
PH	3	MAX AMB	40 °C	DE BRG	6309		
HZ	60	S/N		ODE BRG	6309		
WT/LBS	217	DESIGN	D	CONNECTION	12 Lead 2Δ/Δ/Y		
Thermo-protection 155°C (PT1,PT2)				LUB	Mobil Polyrex EM		
Designed Specifically for use on Oil Well Pumping Units Hernando, Mississippi							

APPLICATIONS:

Designed Specifically for use on Oil Well Pumping Units. Suitable for use on Variable Frequency Drives (VFDs).