



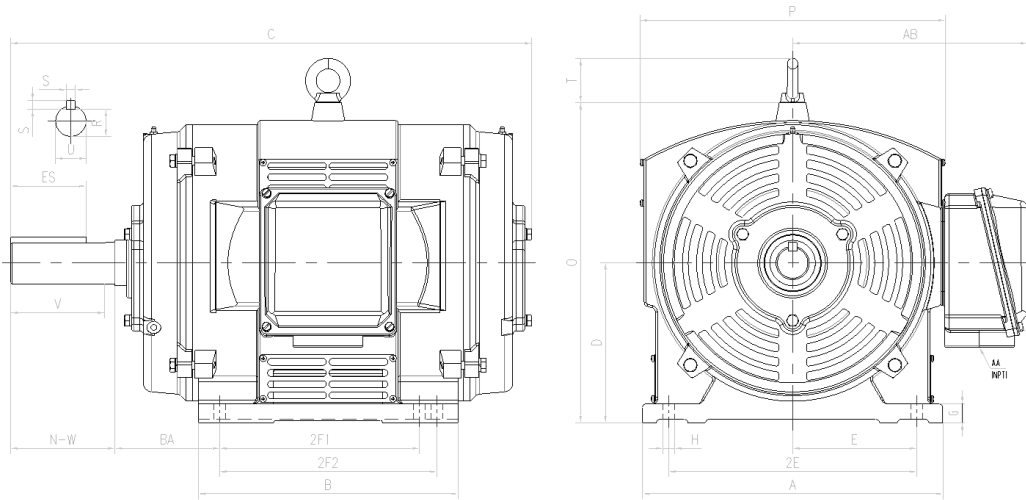
## OWP284T-15-6-ODP

**OIL WELL PUMP MOTOR**

**HIGH TORQUE / HIGH SLIP (5 - 8%)**

**OPEN DRIP PROOF**

**INVERTER DUTY 10:1 CONSTANT TORQUE - NEMA MG1 PART 31**



### DIMENSIONS

HP	RPM	Frame	MOUNTING														
			A	B	C	D	G	H	J	E	2E	2F1	2F2	O	P	T	BA
15	1200	284T	13	12.8	24.8	7	0.7	0.53	NA	5.5	11	9.5	11	14.3	13.95	2.2	4.75

Shaft Extension, Key Set						Conduit Box		Bearings		Mount
U	V	R	S	ES	N-W	AA	AB	DE	ODE	
1.875	4.38	1.591	0.5	3.28	4.62	1.5	10.1	6311	6311	F2

**BEARING LUBRICATION:** The bearings come lubricated with Mobil Polyrex EM Polyurea Grease. It is recommended that you add some additional lubrication when the motor is installed.

Three options (brands) for suitable lubrication include, but are not limited to, the following:

- 1.) Mobil Polyrex EM
- 2.) Citco Polyurea MP
- 3.) Conoco Phillips Polytac EP





## OWP284T-15-6-ODP

**OIL WELL PUMP MOTOR**

**HIGH TORQUE / HIGH SLIP (5 - 8%)**

**OPEN DRIP PROOF**

**INVERTER DUTY 10:1 CONSTANT TORQUE - NEMA MG1 PART 31**

### PERFORMANCE DATA

HP	RPM	Frame	Voltage	Frequency (Hz)	Full Load S.F.	Insulation Class	NEMA Design	Slip (%)	NEMA Code	Enclosure Type	IP Rating	Max. Ambient
15	1120	284T	230/460/796	60	1.15	F	D	6.7	G	ODP	23	40 °C

Amps (460V)		Efficiency (%)			Power Factor			Torque (ft-lb)			DE Bearing	ODE Bearing	Connection	Weight (lbs.)
FLA	LRA	100%	75%	50%	100%	75%	50%	FLT	LRT %	BDT %	6311	6311	12 Lead 2Δ/Δ/Y	341
22	116	82.5	83.7	83.5	0.80	0.72	0.60	70	280	315				

### NAME PLATE

TYPE		ODP	MODEL	OWP284T-15-6-ODP	S.F.	1.15			
HP	15	FRAME	284T	EFF	82.5				
RPM	1120	VOLTS	230/460/796	P.F.	0.80				
INS	F	AMPS	44/22/12.7	CODE	G				
PH	3	MAX AMB	40 °C	DE BRG	6311				
HZ	60	S/N		ODE BRG	6311				
WT/LBS	341	DESIGN	D	CONNECTION	12 Lead 2Δ/Δ/Y				
Thermo-protection 155°C (PT1,PT2)				LUB	Mobil Polyrex EM				
Designed Specifically for use on Oil Well Pumping Units									
Hernando, Mississippi									

### APPLICATIONS:

Designed Specifically for use on Oil Well Pumping Units. Suitable for use on Variable Frequency Drives (VFDs).