



OWP324T-25-6

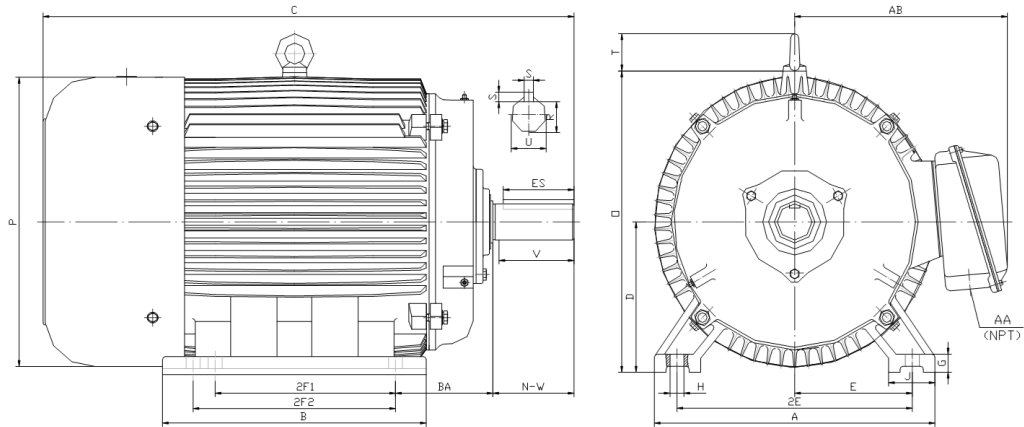
OIL WELL PUMP MOTOR

HIGH TORQUE / HIGH SLIP (5 - 8%)

TOTALLY ENCLOSED FAN COOLED

INVERTER DUTY 10:1 CONSTANT TORQUE - NEMA MG1 PART 31

Factory Certified for T2B Class I, Division II, Groups A,B,C & D and Class II, Division II, Groups F & G



DIMENSIONS

| HP | RPM | Frame | MOUNTING | | | | | | | | | | | | | | |
|----|------|-------|----------|------|------|---|---|------|------|------|------|------|-----|------|------|-----|------|
| | | | A | B | C | D | G | H | J | E | 2E | 2F1 | 2F2 | O | P | T | BA |
| 25 | 1200 | 324T | 15.5 | 13.2 | 29.8 | 8 | 1 | 0.66 | 2.75 | 6.25 | 12.5 | 10.5 | NA | 15.9 | 15.7 | 2.6 | 5.25 |

| Shaft Extension, Key Set | | | | | | Conduit Box | | Bearings | | Mount |
|--------------------------|---|-------|-----|------|------|-------------|------|----------|------|-------|
| U | V | R | S | ES | N-W | AA | AB | DE | ODE | |
| 2.125 | 5 | 1.845 | 0.5 | 3.91 | 5.25 | 2 | 12.3 | 6312 | 6312 | F2 |

BEARING LUBRICATION: The bearings come lubricated with Mobil Polyrex EM Polyurea Grease. It is recommended that you add some additional lubrication when the motor is installed.

Three options (brands) for suitable lubrication include, but are not limited to, the following:

- 1.) Mobil Polyrex EM
- 2.) Citco Polyurea MP
- 3.) Conoco Phillips Polytac EP





OWP324T-25-6

OIL WELL PUMP MOTOR

HIGH TORQUE / HIGH SLIP (5 - 8%)

TOTALLY ENCLOSED FAN COOLED

INVERTER DUTY 10:1 CONSTANT TORQUE - NEMA MG1 PART 31

Factory Certified for T2B Class I, Division II, Groups A,B,C & D and Class II, Division II, Groups F & G

PERFORMANCE DATA

| HP | RPM | Frame | Voltage | Frequency (Hz) | Full Load S.F. | Insulation Class | NEMA Design | Slip (%) | NEMA Code | Enclosure Type | IP Rating | Max. Ambient |
|----|------|-------|-------------|----------------|----------------|------------------|-------------|----------|-----------|----------------|-----------|--------------|
| 25 | 1120 | 324T | 230/460/796 | 60 | 1.15 | F | D | 6.7 | G | TEFC | 55 | 40 °C |

| Amps (460V) | | Efficiency (%) | | | Power Factor | | | Torque (ft-lb) | | | DE Bearing | ODE Bearing | Connection | Weight (lbs.) |
|-------------|-----|----------------|------|------|--------------|------|------|----------------|-------|-------|------------|-------------|-------------------|---------------|
| FLA | LRA | 100% | 75% | 50% | 100% | 75% | 50% | FLT | LRT % | BDT % | 6312 | 6312 | 12 Lead 2Δ/Δ/Y | 510 |
| 32.2 | 182 | 86.0 | 86.2 | 85.7 | 0.85 | 0.76 | 0.60 | 117.3 | 300 | 310 | | | | |

NAME PLATE

| TYPE | | TEFC | MODEL | OWP324T-25-6 | S.F. | 1.15 | |
|--|------|---------|----------------|--------------|------------------|------|--|
| HP | 25 | FRAME | 324T | EFF | 86.0 | | |
| RPM | 1120 | VOLTS | 230/460/796 | P.F. | 0.85 | | |
| INS | F | AMPS | 64.4/32.2/18.6 | CODE | G | | |
| PH | 3 | MAX AMB | 40 °C | DE BRG | 6312 | | |
| HZ | 60 | S/N | | ODE BRG | 6312 | | |
| WT/LBS | 510 | DESIGN | D | CONNECTION | 12 Lead 2Δ/Δ/Y | | |
| Thermo-protection 155°C (PT1,PT2) | | | | LUB | Mobil Polyrex EM | | |
| Designed Specifically for use on Oil Well Pumping Units Hernando, Mississippi | | | | | | | |

APPLICATIONS:

Designed Specifically for use on Oil Well Pumping Units. Suitable for use on Variable Frequency Drives (VFDs).