



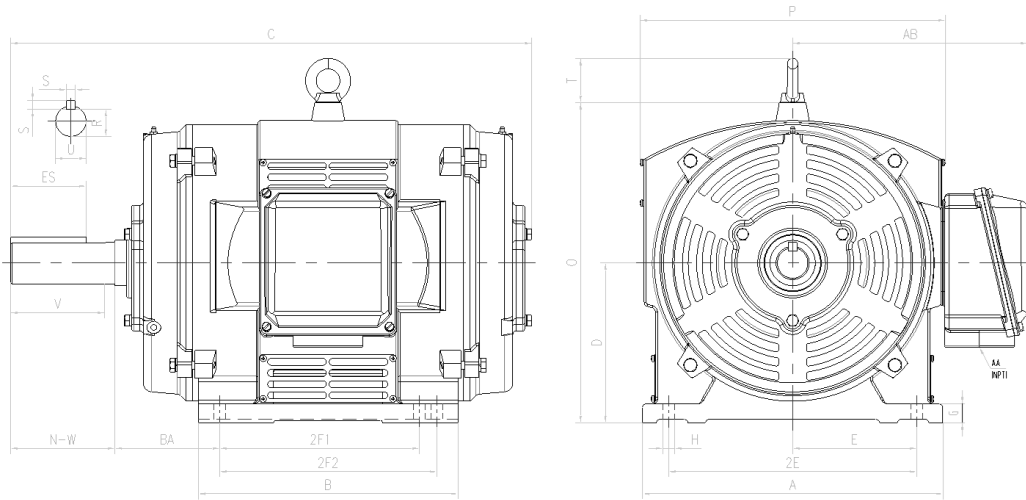
OWP326T-30-6-ODP

OIL WELL PUMP MOTOR

HIGH TORQUE / HIGH SLIP (5 - 8%)

OPEN DRIP PROOF

INVERTER DUTY 10:1 CONSTANT TORQUE - NEMA MG1 PART 31



DIMENSIONS

HP	RPM	Frame	MOUNTING														
			A	B	C	D	G	H	J	E	2E	2F1	2F2	O	P	T	BA
30	1200	326T	14.6	13.95	27.1	8	0.85	0.66	NA	6.25	12.5	10.5	12	16.1	15.35	2.6	5.25

Shaft Extension, Key Set						Conduit Box		Bearings		Mount
U	V	R	S	ES	N-W	AA	AB	DE	ODE	
2.125	5	1.845	0.5	3.91	5.25	2	11.4	6312	6312	F2

BEARING LUBRICATION: The bearings come lubricated with Mobil Polyrex EM Polyurea Grease. It is recommended that you add some additional lubrication when the motor is installed.

Three options (brands) for suitable lubrication include, but are not limited to, the following:

- 1.) Mobil Polyrex EM
- 2.) Citco Polyurea MP
- 3.) Conoco Phillips Polytac EP





OWP326T-30-6-ODP

OIL WELL PUMP MOTOR

HIGH TORQUE / HIGH SLIP (5 - 8%)

OPEN DRIP PROOF

INVERTER DUTY 10:1 CONSTANT TORQUE - NEMA MG1 PART 31

PERFORMANCE DATA

HP	RPM	Frame	Voltage	Frequency (Hz)	Full Load S.F.	Insulation Class	NEMA Design	Slip (%)	NEMA Code	Enclosure Type	IP Rating	Max. Ambient
30	1135	326T	230/460/796	60	1.15	F	D	5.4	G	ODP	23	40 °C

Amps (460V)		Efficiency (%)			Power Factor			Torque (ft-lb)			DE Bearing	ODE Bearing	Connection	Weight (lbs.)
FLA	LRA	100%	75%	50%	100%	75%	50%	FLT	LRT %	BDT %				
41	217	86.5	87.5	88.0	0.79	0.74	0.62	139	310	330	6312	6312	12 Lead 2Δ/Δ/Y	488

NAME PLATE

TYPE		ODP	MODEL	OWP326T-30-6-ODP	S.F.	1.15						
HP	30	FRAME	326T	EFF	86.5							
RPM	1135	VOLTS	230/460/796	P.F.	0.79							
INS	F	AMPS	82/41/23.7	CODE	G							
PH	3	MAX AMB	40 °C	DE BRG	6312							
HZ	60	S/N		ODE BRG	6312							
WT/LBS	488	DESIGN	D	CONNECTION	12 Lead 2Δ/Δ/Y							
Thermo-protection 155°C (PT1,PT2)				LUB	Mobil Polyrex EM							
Designed Specifically for use on Oil Well Pumping Units												
Hernando, Mississippi						C 272709						

APPLICATIONS:

Designed Specifically for use on Oil Well Pumping Units. Suitable for use on Variable Frequency Drives (VFDs).