



OWP404T-50-6

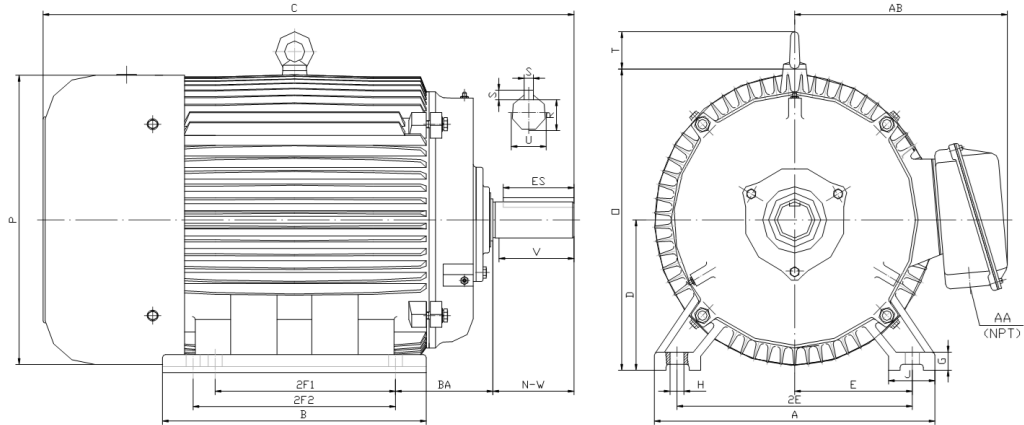
OIL WELL PUMP MOTOR

HIGH TORQUE / HIGH SLIP (5 - 8%)

TOTALLY ENCLOSED FAN COOLED

INVERTER DUTY 10:1 CONSTANT TORQUE - NEMA MG1 PART 31

Factory Certified for T2B Class I, Division II, Groups A,B,C & D and Class II, Division II, Groups F & G



DIMENSIONS

HP	RPM	Frame	MOUNTING														
			A	B	C	D	G	H	J	E	2E	2F1	2F2	O	P	T	BA
50	1200	404T	19.3	16.4	36.5	10	1.18	0.81	3.15	8	16	12.25	NA	19.8	19.1	2.6	6.62

Shaft Extension, Key Set						Conduit Box		Bearings		Mount
U	V	R	S	ES	N-W	AA	AB	DE	ODE	
2.875	7	2.45	0.75	5.65	7.25	3	15.6	NU315	6314	F2

BEARING LUBRICATION: The bearings come lubricated with Mobil Polyrex EM Polyurea Grease. It is recommended that you add some additional lubrication when the motor is installed.

Three options (brands) for suitable lubrication include, but are not limited to, the following:

- 1.) Mobil Polyrex EM
- 2.) Citco Polyurea MP
- 3.) Conoco Phillips Polytac EP





OWP404T-50-6

OIL WELL PUMP MOTOR

HIGH TORQUE / HIGH SLIP (5 - 8%)

TOTALLY ENCLOSED FAN COOLED

INVERTER DUTY 10:1 CONSTANT TORQUE - NEMA MG1 PART 31

Factory Certified for T2B Class I, Division II, Groups A,B,C & D and Class II, Division II, Groups F & G

PERFORMANCE DATA

HP	RPM	Frame	Voltage	Frequency (Hz)	Full Load S.F.	Insulation Class	NEMA Design	Slip (%)	NEMA Code	Enclosure Type	IP Rating	Max. Ambient
50	1140	404T	230/460/796	60	1.15	F	D	5.0	G	TEFC	55	40 °C

Amps (460V)		Efficiency (%)			Power Factor			Torque (ft-lb)			DE Bearing	ODE Bearing	Connection	Weight (lbs.)
FLA	LRA	100%	75%	50%	100%	75%	50%	FLT	LRT %	BDT %	NU315	6314	12 Lead 2Δ/Δ/Y	911
61	362	87.5	88.0	87.5	0.88	0.77	0.62	230.5	275	300				

NAME PLATE

TYPE		TEFC	MODEL	OWP404T-50-6	S.F.	1.15			
HP	50	FRAME	404T	EFF	87.5				
RPM	1140	VOLTS	230/460/796	P.F.	0.88				
INS	F	AMPS	122/61/35.3	CODE	G				
PH	3	MAX AMB	40 °C	DE BRG	NU315				
HZ	60	S/N		ODE BRG	6314				
WT/LBS	911	DESIGN	D	CONNECTION	12 Lead 2Δ/Δ/Y				
Thermo-protection 155°C (PT1,PT2)				LUB	Mobil Polyrex EM				
Designed Specifically for use on Oil Well Pumping Units									
Hernando, Mississippi									

APPLICATIONS:

Designed Specifically for use on Oil Well Pumping Units. Suitable for use on Variable Frequency Drives (VFDs).