



OWP405T-60-6

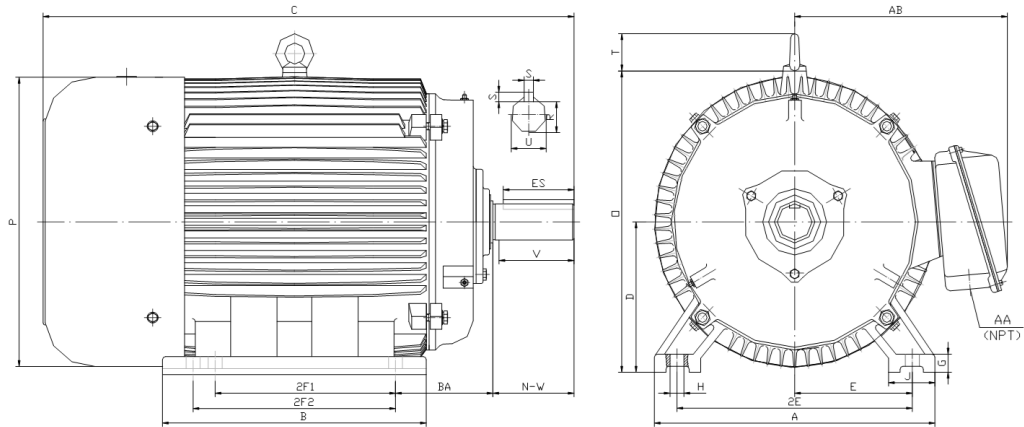
OIL WELL PUMP MOTOR

HIGH TORQUE / HIGH SLIP (5 - 8%)

TOTALLY ENCLOSED FAN COOLED

INVERTER DUTY 10:1 CONSTANT TORQUE - NEMA MG1 PART 31

Factory Certified for T2B Class I, Division II, Groups A,B,C & D and Class II, Division II, Groups F & G



DIMENSIONS

HP	RPM	Frame	MOUNTING														
			A	B	C	D	G	H	J	E	2E	2F1	2F2	O	P	T	BA
60	1200	405T	19.3	17.9	38	10	1.18	0.81	3.15	8	16	12.25	13.75	19.8	19.1	2.6	6.62

Shaft Extension, Key Set						Conduit Box		Bearings		Mount
U	V	R	S	ES	N-W	AA	AB	DE	ODE	
2.875	7	2.45	0.75	5.65	7.25	3	15.6	NU315	6314	F2

BEARING LUBRICATION: The bearings come lubricated with Mobil Polyrex EM Polyurea Grease. It is recommended that you add some additional lubrication when the motor is installed.

Three options (brands) for suitable lubrication include, but are not limited to, the following:

- 1.) Mobil Polyrex EM
- 2.) Citco Polyurea MP
- 3.) Conoco Phillips Polytac EP





OWP405T-60-6

OIL WELL PUMP MOTOR

HIGH TORQUE / HIGH SLIP (5 - 8%)

TOTALLY ENCLOSED FAN COOLED

INVERTER DUTY 10:1 CONSTANT TORQUE - NEMA MG1 PART 31

Factory Certified for T2B Class I, Division II, Groups A,B,C & D and Class II, Division II, Groups F & G

PERFORMANCE DATA

HP	RPM	Frame	Voltage	Frequency (Hz)	Full Load S.F.	Insulation Class	NEMA Design	Slip (%)	NEMA Code	Enclosure Type	IP Rating	Max. Ambient
60	1135	405T	230/460/796	60	1.15	F	D	5.4	G	TEFC	55	40 °C

Amps (460V)		Efficiency (%)			Power Factor			Torque (ft-lb)			DE Bearing	ODE Bearing	Connection	Weight (lbs.)
FLA	LRA	100%	75%	50%	100%	75%	50%	FLT	LRT %	BDT %				
74	435	88.0	88.2	88.0	0.87	0.76	0.62	277.8	275	300	NU315	6314	12 Lead 2Δ/Δ/Y	1001

NAME PLATE

TYPE		TEFC	MODEL	OWP405T-60-6	S.F.	1.15	
HP	60	FRAME	405T	EFF	88.0		
RPM	1135	VOLTS	230/460/796	P.F.	0.87		
INS	F	AMPS	148/74/42.8	CODE	G		
PH	3	MAX AMB	40 °C	DE BRG	NU315		
HZ	60	S/N		ODE BRG	6314		
WT/LBS	1001	DESIGN	D	CONNECTION	12 Lead 2Δ/Δ/Y		
Thermo-protection 155°C (PT1,PT2)				LUB	Mobil Polyrex EM		
Designed Specifically for use on Oil Well Pumping Units Hernando, Mississippi							

APPLICATIONS:

Designed Specifically for use on Oil Well Pumping Units. Suitable for use on Variable Frequency Drives (VFDs).