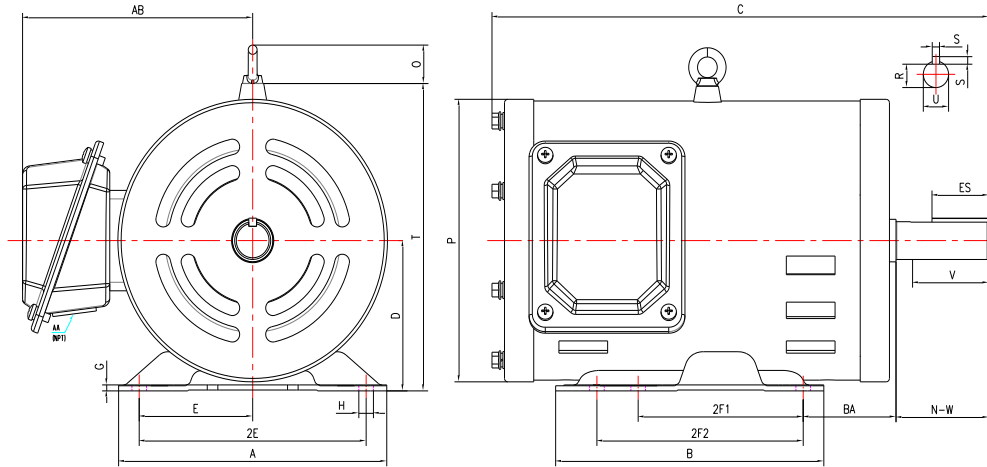




**PE143T-1-4-ODP**

**GENERAL PURPOSE ELECTRIC MOTOR  
 NEMA PREMIUM EFFICIENCY  
 OPEN DRIP PROOF  
 ROLLED STEEL CONSTRUCTION  
 INVERTER DUTY 10:1 CT; 20:1 VT - NEMA MG1 PART 31**



**DIMENSIONS**

HP	RPM	Frame	MOUNTING														
			A	B	C	D	G	H	J	E	2E	2F1	2F2	O	P	T	BA
1	1800	143T	6.5	6.5	11.22	3.5	0.118	0.35	NA	2.75	5.5	4	5	6.8	6.45	NA	2.25

Shaft Extension, Key Set						Conduit Box		Bearings		Mount
U	V	R	S	ES	N-W	AA	AB	DE	ODE	
0.875	2	0.771	0.188	1.41	2.25	0.86	5.7	6205-ZZ	6205-ZZ	F1

**BEARING LUBRICATION:** The bearings come lubricated with Mobil Polyrex EM Polyurea Grease.





## PE143T-1-4-ODP

**GENERAL PURPOSE ELECTRIC MOTOR**  
**NEMA PREMIUM EFFICIENCY**  
**OPEN DRIP PROOF**  
**ROLLED STEEL CONSTRUCTION**  
**INVERTER DUTY 10:1 CT; 20:1 VT - NEMA MG1 PART 31**

### PERFORMANCE DATA

HP	RPM	Frame	Voltage	Frequency (Hz)	Full Load S.F.	Insulation Class	NEMA Design	Slip (%)	NEMA Code	Enclosure Type	IP Rating	Max. Ambient
1	1745	143T	230/460	60	1.15	F	B	3.1	M	ODP	23	40 °C

Amps (460V)		Efficiency (%)			Power Factor			Torque (ft-lb)			DE Bearing	ODE Bearing	Connection	Weight (lbs.)
FLA	LRA	100%	75%	50%	100%	75%	50%	FLT	LRT %	BDT %				
1.6	15	85.5	85.0	83.6	0.71	0.62	0.49	3.02	275	310	6205-ZZ	6205-ZZ	9 Lead 2Y/Y	37

\*Usable at 208 Volts

### NAME PLATE

		AC INDUCTION MOTOR INVERTER DUTY 20:1 VT; 10:1 CT								CONNECTION DIAGRAMS				
CAT NO. PE143T-1-4-ODP		FRAME 143T		PHASE 3								230V 		
HZ 60	S.F. 1.15	HZ 50	S.F. 1.0	ENCL ODP	IP 23							460V 		
HP 1	RPM 1745	HP 1	RPM 1430	DUTY CONT	DES B									
VOLTS 230/460		VOLTS 190/380		AMB 40 °C	INS F									
AMPS 3.2 / 1.6		AMPS 3.6/1.8		DE BRG 6205-ZZ										
CODE M	P.F. 0.71	CODE H	P.F. 0.77	ODE BRG 6205-ZZ										
EFF 85.5	MIN 82.5	EFF 83.0	MIN 80.0	LUB: Mobil Polyrex EM										
MOTOR WEIGHT 37 LBS		CONNECTION 9 Lead 2Y/Y		SER NO										
General purpose use on industrial machinery installed in environments with minimal dirt and moisture.								CC082A						
Hernando, Mississippi														

### APPLICATIONS:

General purpose use on pumps, fans, blowers, compressors, conveyors, material handling and other industrial machinery installed in environments with minimal dirt and moisture.