



PE143T-1-4

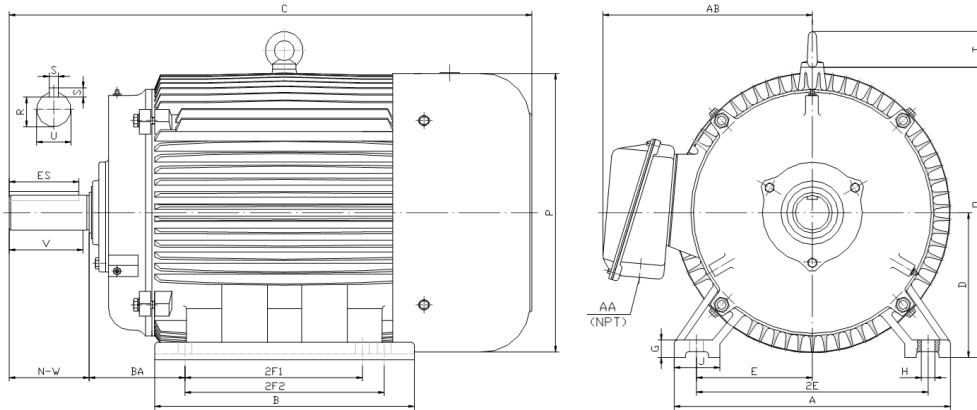
GENERAL PURPOSE ELECTRIC MOTOR

NEMA PREMIUM EFFICIENCY

TOTALLY ENCLOSED FAN COOLED

INVERTER DUTY 10:1 CT; 20:1 VT - NEMA MG1 PART 31

Factory Certified for T2B Class I, Division II, Groups A,B,C & D and Class II, Division II, Groups F & G



DIMENSIONS

HP	RPM	Frame	MOUNTING														
			A	B	C	D	G	H	J	E	2E	2F1	2F2	O	P	T	BA
1	1800	143T	7	6.2	13.6	3.5	0.5	0.34	1.4	2.75	5.5	4	5	7.1	6.95	NA	2.25

Shaft Extension, Key Set						Conduit Box		Bearings		Mount
U	V	R	S	ES	N-W	AA	AB	DE	ODE	
0.875	2	0.771	0.188	1.41	2.25	0.75	6.1	6205-ZZ	6205-ZZ	F1

BEARING LUBRICATION: The bearings come lubricated with Mobil Polyrex EM Polyurea Grease.





PE143T-1-4

GENERAL PURPOSE ELECTRIC MOTOR

NEMA PREMIUM EFFICIENCY

TOTALLY ENCLOSED FAN COOLED

INVERTER DUTY 10:1 CT; 20:1 VT - NEMA MG1 PART 31

Factory Certified for T2B Class I, Division II, Groups A,B,C & D and Class II, Division II, Groups F & G

PERFORMANCE DATA

HP	RPM	Frame	Voltage	Frequency (Hz)	Full Load S.F.	Insulation Class	NEMA Design	Slip (%)	NEMA Code	Enclosure Type	IP Rating	Max. Ambient
1	1745	143T	208-230/460	60	1.15	F	B	3.1	M	TEFC	55	40 °C

Amps (460V)		Efficiency (%)			Power Factor			Torque (ft-lb)			DE Bearing	ODE Bearing	Connection	Weight (lbs.)
FLA	LRA	100%	75%	50%	100%	75%	50%	FLT	LRT %	BDT %				
1.5	15	85.5	85.0	83.6	0.71	0.62	0.49	3.02	275	310	6205-ZZ	6205-ZZ	9 Lead 2Y/Y	47

NAME PLATE

		AC INDUCTION MOTOR INVERTER DUTY 20:1 VT; 10:1 CT								CONNECTION DIAGRAMS		
CAT NO.		PE143T-1-4				FRAME		143T		PHASE 3		
HZ	60	S.F.	1.15	HZ	50	S.F.	1.0	ENCL	TEFC	IP	55	
HP	1	RPM	1745	HP	1	RPM	1430	DUTY CONT	DES	B		
VOLTS	208-230/460		VOLTS	190/380		AMB	40 °C		INS	F		
AMPS	3.2 - 3 / 1.5		AMPS	3.6/1.8		DE BRG	6205-ZZ					
CODE	M	P.F.	0.71	CODE	H	P.F.	0.77	ODE BRG	6205-ZZ			
EFF	85.5	MIN	82.5	EFF	83.0	MIN	80.0	LUB:	Mobil Polyrex EM			
MOTOR WEIGHT	47 LBS		CONNECTION	9 Lead 2Y/Y			SER NO					
General purpose use on industrial machinery installed in damp, dusty or dirty environments. Hernando, Mississippi									CC082A			

APPLICATIONS:

General purpose use on pumps, fans, blowers, compressors, conveyors, material handling and other industrial machinery installed in damp, dusty or dirty environments.