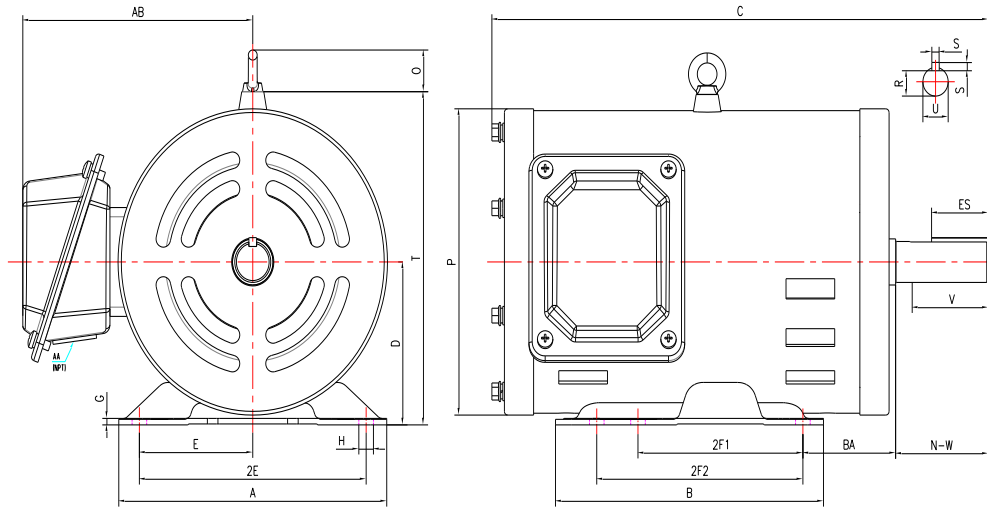


PE145T-1.5-4-ODP

GENERAL PURPOSE ELECTRIC MOTOR
 NEMA PREMIUM EFFICIENCY
 OPEN DRIP PROOF
 ROLLED STEEL CONSTRUCTION
 INVERTER DUTY 10:1 CT; 20:1 VT - NEMA MG1 PART 31



DIMENSIONS

HP	RPM	Frame	MOUNTING														
			A	B	C	D	G	H	J	E	2E	2F1	2F2	O	P	T	BA
1.5	1800	145T	6.5	6.5	12	3.5	0.118	0.35	NA	2.75	5.5	4	5	6.8	6.45	NA	2.25

Shaft Extension, Key Set						Conduit Box		Bearings		Mount
U	V	R	S	ES	N-W	AA	AB	DE	ODE	
0.875	2	0.771	0.188	1.41	2.25	0.86	5.7	6205-ZZ	6205-ZZ	F1

BEARING LUBRICATION: The bearings come lubricated with Mobil Polyrex EM Polyurea Grease.



PE145T-1.5-4-ODP

GENERAL PURPOSE ELECTRIC MOTOR
NEMA PREMIUM EFFICIENCY
OPEN DRIP PROOF
ROLLED STEEL CONSTRUCTION
INVERTER DUTY 10:1 CT; 20:1 VT - NEMA MG1 PART 31

PERFORMANCE DATA

HP	RPM	Frame	Voltage	Frequency (Hz)	Full Load S.F.	Insulation Class	NEMA Design	Slip (%)	NEMA Code	Enclosure Type	IP Rating	Max. Ambient
1.5	1750	145T	230/460	60	1.15	F	B	2.8	M	ODP	23	40 °C

Amps (460V)		Efficiency (%)			Power Factor			Torque (ft-lb)			DE Bearing	ODE Bearing	Connection	Weight (lbs.)
FLA	LRA	100%	75%	50%	100%	75%	50%	FLT	LRT %	BDT %				
2.3	20	86.5	86.0	83.5	0.70	0.62	0.48	4.54	250	330	6205-ZZ	6205-ZZ	9 Lead 2Y/Y	42

*Usable at 208 Volts

NAME PLATE

		AC INDUCTION MOTOR INVERTER DUTY 20:1 VT; 10:1 CT								CONNECTION DIAGRAMS		
CAT NO.		PE145T-1.5-4-ODP				FRAME		145T		PHASE 3		
HZ 60		S.F. 1.15		HZ 50		S.F. 1.0		ENCL ODP		IP 23		
HP 1.5		RPM 1750		HP 1.5		RPM 1430		DUTY CONT		DES B		
VOLTS 230/460		VOLTS 190/380		AMB 40 °C		INS F						
AMPS 4.6 / 2.3		AMPS 5.4/2.7		DE BRG 6205-ZZ								
CODE M		P.F. 0.70		CODE J		P.F. 0.75		ODE BRG 6205-ZZ				
EFF 86.5		MIN 84.0		EFF 84.0		MIN 81.5		LUB: Mobil Polyrex EM				
MOTOR WEIGHT 42 LBS		CONNECTION 9 Lead 2Y/Y		SER NO								
General purpose use on industrial machinery installed in environments with minimal dirt and moisture.										CC082A		
										230V T4 T5 T6 T7 T8 T9 T1 T2 T3 L1 L2 L3		
										460V T4 T5 T6 T7 T8 T9 T1 T2 T3 L1 L2 L3		

APPLICATIONS:

General purpose use on pumps, fans, blowers, compressors, conveyors, material handling and other industrial machinery installed in environments with minimal dirt and moisture.