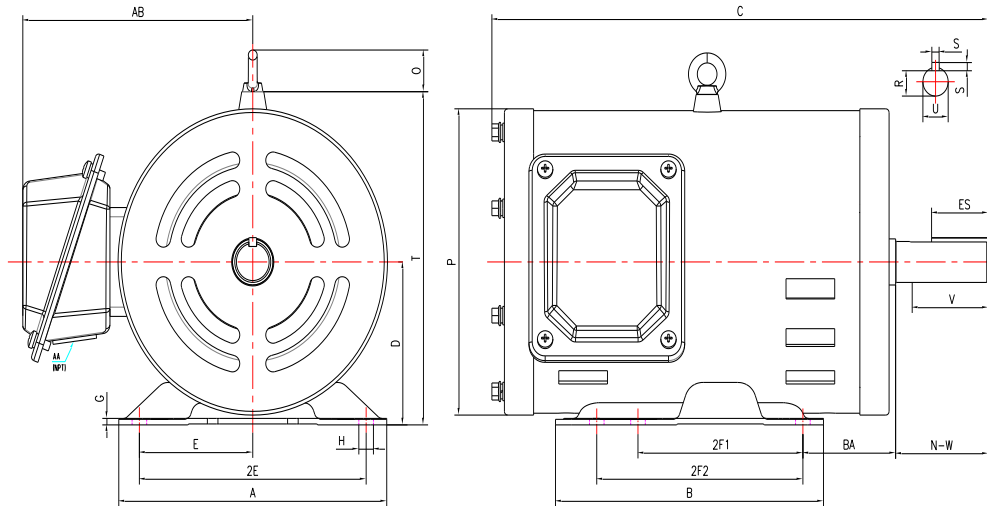


PE145T-2-2-ODP

GENERAL PURPOSE ELECTRIC MOTOR
 NEMA PREMIUM EFFICIENCY
 OPEN DRIP PROOF
 ROLLED STEEL CONSTRUCTION
 INVERTER DUTY 10:1 CT; 20:1 VT - NEMA MG1 PART 31



DIMENSIONS

HP	RPM	Frame	MOUNTING														
			A	B	C	D	G	H	J	E	2E	2F1	2F2	O	P	T	BA
2	3600	145T	6.5	6.5	12	3.5	0.118	0.35	NA	2.75	5.5	4	5	6.8	6.45	NA	2.25

Shaft Extension, Key Set						Conduit Box		Bearings		Mount
U	V	R	S	ES	N-W	AA	AB	DE	ODE	
0.875	2	0.771	0.188	1.41	2.25	0.86	5.7	6205-ZZ	6205-ZZ	F1

BEARING LUBRICATION: The bearings come lubricated with Mobil Polyrex EM Polyurea Grease.



PE145T-2-2-ODP

GENERAL PURPOSE ELECTRIC MOTOR
NEMA PREMIUM EFFICIENCY
OPEN DRIP PROOF
ROLLED STEEL CONSTRUCTION
INVERTER DUTY 10:1 CT; 20:1 VT - NEMA MG1 PART 31

PERFORMANCE DATA

HP	RPM	Frame	Voltage	Frequency (Hz)	Full Load S.F.	Insulation Class	NEMA Design	Slip (%)	NEMA Code	Enclosure Type	IP Rating	Max. Ambient
2	3515	145T	230/460	60	1.15	F	B	2.4	L	ODP	23	40 °C

Amps (460V)		Efficiency (%)			Power Factor			Torque (ft-lb)			DE Bearing	ODE Bearing	Connection	Weight (lbs.)
FLA	LRA	100%	75%	50%	100%	75%	50%	FLT	LRT %	BDT %				
2.6	25	85.5	83.0	80.0	0.82	0.77	0.65	3	200	285	6205-ZZ	6205-ZZ	9 Lead 2Y/Y	37

*Usable at 208 Volts

NAME PLATE

		AC INDUCTION MOTOR INVERTER DUTY 20:1 VT; 10:1 CT						CONNECTION DIAGRAMS		
CAT NO. PE145T-2-2-ODP		FRAME 145T		PHASE 3		230V 				
HZ 60	S.F. 1.15	HZ 50	S.F. 1.0	ENCL ODP	IP 23	460V 				
HP 2	RPM 3515	HP 2	RPM 2870	DUTY CONT	DES B					
VOLTS 230/460		VOLTS 190/380		AMB 40 °C	INS F					
AMPS 5.2 / 2.6		AMPS 6.4/3.2		DE BRG 6205-ZZ						
CODE L	P.F. 0.82	CODE J	P.F. 0.86	ODE BRG 6205-ZZ						
EFF 85.5	MIN 82.5	EFF 83.5	MIN 80.5	LUB: Mobil Polyrex EM						
MOTOR WEIGHT 37	LBS	CONNECTION 9 Lead 2Y/Y		SER NO						
General purpose use on industrial machinery installed in environments with minimal dirt and moisture. Hernando, Mississippi								CC082A		

APPLICATIONS:

General purpose use on pumps, fans, blowers, compressors, conveyors, material handling and other industrial machinery installed in environments with minimal dirt and moisture.