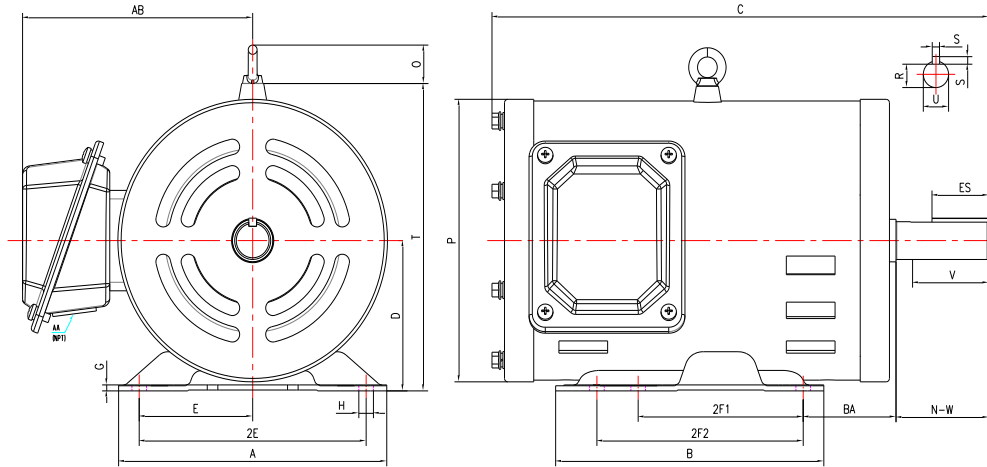




PE145T-3-2-ODP

GENERAL PURPOSE ELECTRIC MOTOR
NEMA PREMIUM EFFICIENCY
OPEN DRIP PROOF
ROLLED STEEL CONSTRUCTION
INVERTER DUTY 10:1 CT; 20:1 VT - NEMA MG1 PART 31



DIMENSIONS

HP	RPM	Frame	MOUNTING														
			A	B	C	D	G	H	J	E	2E	2F1	2F2	O	P	T	BA
3	3600	145T	6.5	6.5	12	3.5	0.118	0.35	NA	2.75	5.5	4	5	6.8	6.45	NA	2.25

Shaft Extension, Key Set						Conduit Box		Bearings		Mount
U	V	R	S	ES	N-W	AA	AB	DE	ODE	
0.875	2	0.771	0.188	1.41	2.25	0.86	5.7	6205-ZZ	6205-ZZ	F1

BEARING LUBRICATION: The bearings come lubricated with Mobil Polyrex EM Polyurea Grease.





PE145T-3-2-ODP

GENERAL PURPOSE ELECTRIC MOTOR
NEMA PREMIUM EFFICIENCY
OPEN DRIP PROOF
ROLLED STEEL CONSTRUCTION
INVERTER DUTY 10:1 CT; 20:1 VT - NEMA MG1 PART 31

PERFORMANCE DATA

HP	RPM	Frame	Voltage	Frequency (Hz)	Full Load S.F.	Insulation Class	NEMA Design	Slip (%)	NEMA Code	Enclosure Type	IP Rating	Max. Ambient
3	3500	145T	208-230/460	60	1.15	F	B	2.8	K	ODP	23	40 °C

Amps (460V)		Efficiency (%)			Power Factor			Torque (ft-lb)			DE Bearing	ODE Bearing	Connection	Weight (lbs.)
FLA	LRA	100%	75%	50%	100%	75%	50%	FLT	LRT %	BDT %				
3.7	32	85.5	84.5	82.0	0.87	0.84	0.72	4.5	200	280	6205-ZZ	6205-ZZ	9 Lead 2Y/Y	43

NAME PLATE

		AC INDUCTION MOTOR INVERTER DUTY 20:1 VT; 10:1 CT								CONNECTION DIAGRAMS			
CAT NO.		PE145T-3-2-ODP				FRAME		145T		PHASE		3	
HZ	60	S.F.	1.15	HZ	50	S.F.	1.0	ENCL	ODP	IP	23		
HP	3	RPM	3500	HP	3	RPM	2900	DUTY CONT	DES		B		
VOLTS		208-230/460			VOLTS		190/380		AMB	40 °C		INS	F
AMPS		8.1 - 7.4 / 3.7			AMPS		9/4.5		DE BRG	6205-ZZ			
CODE	K	P.F.	0.87	CODE	H	P.F.	0.89	ODE BRG	6205-ZZ				
EFF	85.5	MIN	82.5	EFF	83.5	MIN	80.5	LUB: Mobil Polyrex EM					
MOTOR WEIGHT	43 LBS		CONNECTION			9 Lead 2Y/Y		SER NO					
General purpose use on industrial machinery installed in environments with minimal dirt and moisture. Hermando, Mississippi										CC082A			
208-230V 													
460V 													

APPLICATIONS:

General purpose use on pumps, fans, blowers, compressors, conveyors, material handling and other industrial machinery installed in environments with minimal dirt and moisture.