



PE145TC-1-6

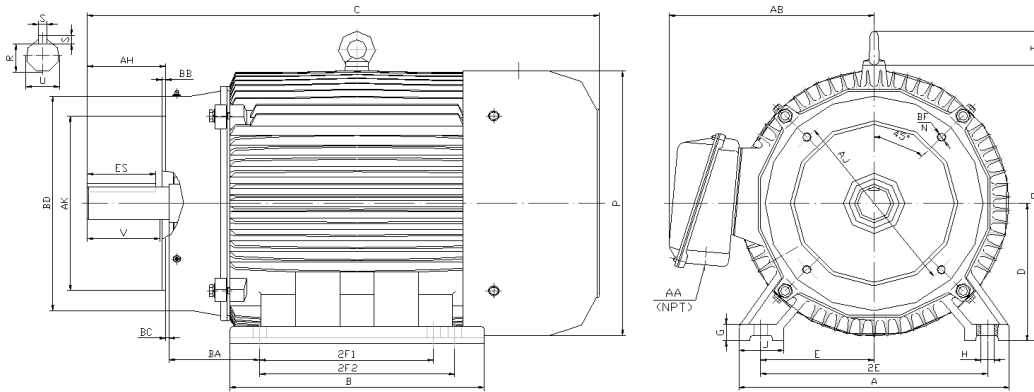
GENERAL PURPOSE ELECTRIC MOTOR

NEMA PREMIUM EFFICIENCY

TOTALLY ENCLOSED FAN COOLED - C-FLANGE WITH FEET

INVERTER DUTY 10:1 CT; 20:1 VT - NEMA MG1 PART 31

Factory Certified for T2B Class I, Division II, Groups A,B,C & D and Class II, Division II, Groups F & G



DIMENSIONS

| HP | RPM | Frame | MOUNTING | | | | | | | | | | | | | | |
|----|------|-------|----------|-----|------|-----|-----|------|-----|------|-----|-----|-----|-----|------|----|------|
| | | | A | B | C | D | G | H | J | E | 2E | 2F1 | 2F2 | O | P | T | BA |
| 1 | 1200 | 145TC | 7 | 7.2 | 14.6 | 3.5 | 0.5 | 0.34 | 1.4 | 2.75 | 5.5 | 4 | 5 | 7.1 | 6.95 | NA | 2.25 |

| FLANGE | | | | | | | Shaft Extension, Key Set | | | | | | |
|--------|-------|-----|------|------|-----|----------|--------------------------|---|-------|-------|------|-----|--|
| AH | AJ | AK | BB | BC | BD | BF | U | V | R | S | ES | N-W | |
| 2.12 | 5.875 | 4.5 | 0.16 | 0.12 | 6.5 | 4*3/8-16 | 0.875 | 2 | 0.771 | 0.188 | 1.41 | NA | |

| Conduit Box | | Bearings | | Mount |
|-------------|-----|----------|---------|-------|
| AA | AB | DE | ODE | |
| 0.75 | 6.1 | 6205-ZZ | 6205-ZZ | |

BEARING LUBRICATION: The bearings come lubricated with Mobil Polyrex EM Polyurea Grease.





PE145TC-1-6

GENERAL PURPOSE ELECTRIC MOTOR

NEMA PREMIUM EFFICIENCY

TOTALLY ENCLOSED FAN COOLED - C-FLANGE WITH FEET

INVERTER DUTY 10:1 CT; 20:1 VT - NEMA MG1 PART 31

Factory Certified for T2B Class I, Division II, Groups A,B,C & D and Class II, Division II, Groups F & G

PERFORMANCE DATA

| HP | RPM | Frame | Voltage | Frequency (Hz) | Full Load S.F. | Insulation Class | NEMA Design | Slip (%) | NEMA Code | Enclosure Type | IP Rating | Max. Ambient |
|----|------|-------|-------------|----------------|----------------|------------------|-------------|----------|-----------|----------------|-----------|--------------|
| 1 | 1160 | 145TC | 208-230/460 | 60 | 1.15 | F | B | 3.3 | M | TEFC | 55 | 40 °C |

| Amps (460V) | | Efficiency (%) | | | Power Factor | | | Torque (ft-lb) | | | DE Bearing | ODE Bearing | Connection | Weight (lbs.) |
|-------------|-----|----------------|------|------|--------------|------|------|----------------|-------|-------|------------|-------------|-------------|---------------|
| FLA | LRA | 100% | 75% | 50% | 100% | 75% | 50% | FLT | LRT % | BDT % | 6205-ZZ | 6205-ZZ | 9 Lead 2Y/Y | 57 |
| 1.8 | 15 | 82.5 | 81.0 | 79.0 | 0.62 | 0.54 | 0.43 | 4.6 | 200 | 290 | | | | |

NAME PLATE

| | | | | | | | | | | | | |
|--|-----------|--|-----------|-----------------------|-------|--|--|--------|--|---------------------|--|--|
| | | AC INDUCTION MOTOR INVERTER DUTY 20:1 VT; 10:1 CT | | | | | | | | CONNECTION DIAGRAMS | | |
| CAT NO. PE145TC-1-6 | | FRAME 145TC | | PHASE 3 | | | | | | | | |
| HZ 60 | S.F. 1.15 | HZ 50 | S.F. 1.0 | ENCL TEFC | IP 55 | | | | | | | |
| HP 1 | RPM 1160 | HP 1 | RPM 950 | DUTY CONT | DES B | | | | | | | |
| VOLTS 208-230/460 | | VOLTS 190/380 | | AMB 40 °C | INS F | | | | | | | |
| AMPS 4 - 3.6 / 1.8 | | AMPS 4/2 | | DE BRG 6205-ZZ | | | | | | | | |
| CODE M | P.F. 0.62 | CODE K | P.F. 0.69 | ODE BRG 6205-ZZ | | | | | | | | |
| EFF 82.5 | MIN 80.0 | EFF 80.5 | MIN 78.0 | LUB: Mobil Polyrex EM | | | | | | | | |
| MOTOR WEIGHT 57 | LBS | CONNECTION 9 Lead 2Y/Y | | SER NO | | | | | | | | |
| General purpose use on industrial machinery installed in damp, dusty or dirty environments. Hernando, Mississippi | | | | | | | | CC082A | | | | |

APPLICATIONS:

General purpose use on pumps, fans, blowers, compressors, conveyors, material handling and other industrial machinery installed in damp, dusty or dirty environments.