



PE145TC-2-4-RB-AI

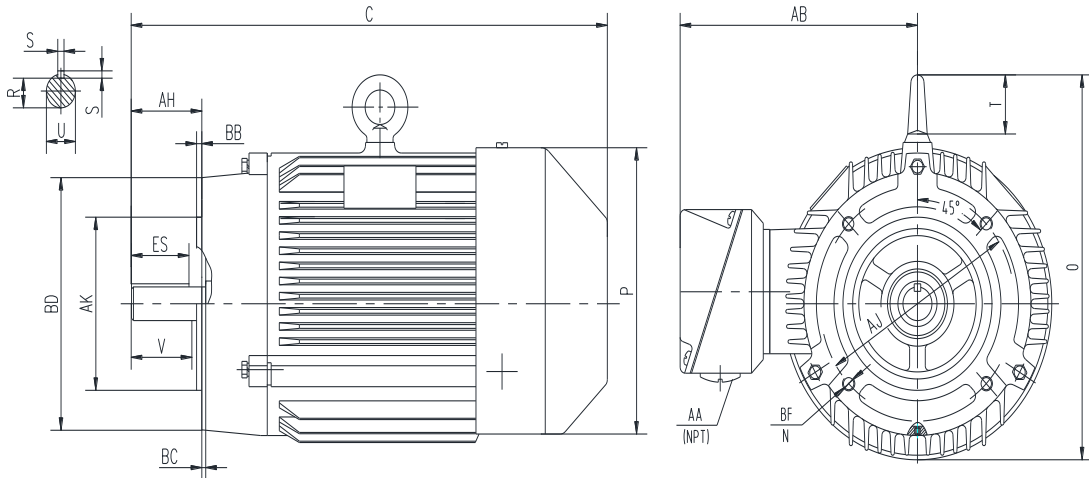
GENERAL PURPOSE ELECTRIC MOTOR

NEMA PREMIUM EFFICIENCY

THREE PHASE, TOTALLY ENCLOSED FAN COOLED - C-FLANGE

INVERTER DUTY 10:1 CT; 20:1 VT - NEMA MG1 PART 31

Factory Certified for T2B Class I, Division II, Groups A,B,C & D and Class II, Division II, Groups F & G



DIMENSIONS

HP	RPM	Frame	MOUNTING														
			A	B	C	D	G	H	J	E	2E	2F1	2F2	O	P	T	BA
2	1800	145TC	NA	NA	14.20	NA	NA	NA	NA	NA	NA	NA	NA	NA	8.17	1.42	NA

FLANGE							Shaft Extension, Key Set						Conduit Box		Bearings		Mount
AH	AJ	AK	BB	BC	BD	BF	U	V	R	S	ES	N-W	AA	AB	DE	ODE	
2.12	5.875	4.50	0.16	0.12	6.50	4*3/8-16	0.875	2.00	0.771	0.189	1.42	2.25	0.75	7.28	6206-ZZ	6206-ZZ	F1

BEARING LUBRICATION: The bearings come lubricated with Mobil Polyrex EM Polyurea Grease.





PE145TC-2-4-RB-AI

GENERAL PURPOSE ELECTRIC MOTOR

NEMA PREMIUM EFFICIENCY

THREE PHASE, TOTALLY ENCLOSED FAN COOLED - C-FLANGE

INVERTER DUTY 10:1 CT; 20:1 VT - NEMA MG1 PART 31

Factory Certified for T2B Class I, Division II, Groups A,B,C & D and Class II, Division II, Groups F & G

PERFORMANCE DATA

HP	RPM	Frame	Voltage	Frequency (Hz)	Full Load S.F.	Insulation Class	NEMA Design	Slip (%)	NEMA Code	Enclosure Type	IP Rating	Max. Ambient
2	1740	145TC	230/460	60	1.15	F	B	3.3	L	TEFC	55	40° C

Amps (460V)		Efficiency (%)				Power Factor			Torque (ft-lb)			DE Bearing	ODE Bearing	Connection	Weight (lbs.)
FLA	LRA	100%	75%	50%	Min.	100%	75%	50%	FLT	LRT %	BDT %				
2.8	25.0	86.5	86.7	86.4	84.0	0.800	0.750	0.630	6.1	320	330	6206-ZZ	6206-ZZ	9 Lead 2Y/Y	66

*Usable at 208 Volts

NAME PLATE

		AC INDUCTION MOTOR INVERTER DUTY 20:1 VT; 10:1 CT									CONNECTION DIAGRAMS		
CAT NO: PE145TC-2-4-RB-AI		FRAME 145TC			PHASE 3			230V 					
HZ 60	S.F. 1.15	HZ 50	S.F. 1.0	ENCL TEFC	IP 55								
HP 2	RPM 1740	HP 2	RPM 1440	DUTY CONT	DES B								
VOLTS 230/460		VOLTS 190/380		AMB 40° C	INS F								
FLA 5.6 / 2.8	FLA 6.2/3.1		DE BEARING 6206-ZZ										
CODE L	P.F. 0.80	CODE M	P.F. 0.80	ODE BEARING 6206-ZZ									
EFF 86.5	MIN 84.0	EFF 85.5	MIN 82.5	LUB: Mobil Polyrex EM						460V 			
MOTOR WEIGHT 66 LBS	CONNECTION 9 Lead 2Y/Y			SER NO									
General purpose use on industrial machinery installed in damp, dusty or dirty environments. Hernando, Mississippi													

APPLICATIONS:

General purpose use on pumps, fans, blowers, compressors, conveyors, material handling and other industrial machinery installed in damp, dusty or dirty environments.