



## PE145TC-2-4

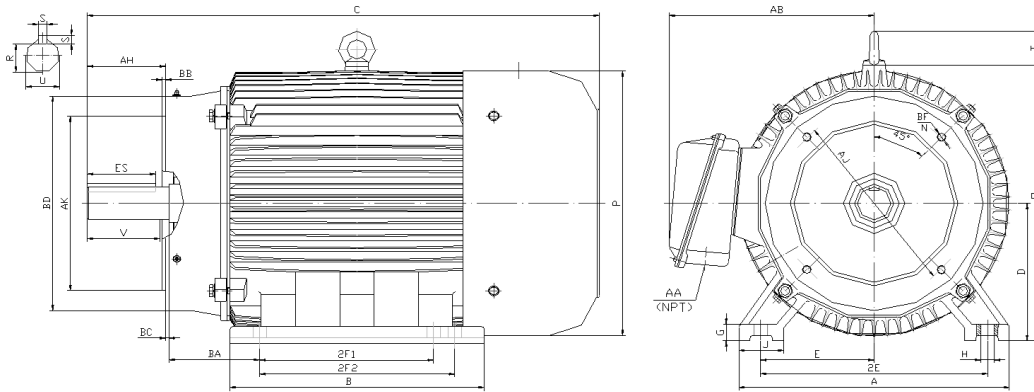
GENERAL PURPOSE ELECTRIC MOTOR

NEMA PREMIUM EFFICIENCY

TOTALLY ENCLOSED FAN COOLED - C-FLANGE WITH FEET

INVERTER DUTY 10:1 CT; 20:1 VT - NEMA MG1 PART 31

Factory Certified for T2B Class I, Division II, Groups A,B,C & D and Class II, Division II, Groups F & G



### DIMENSIONS

HP	RPM	Frame	MOUNTING														
			A	B	C	D	G	H	J	E	2E	2F1	2F2	O	P	T	BA
2	1800	145TC	7	7.2	14.6	3.5	0.5	0.34	1.4	2.75	5.5	4	5	7.1	6.95	NA	2.25

FLANGE							Shaft Extension, Key Set						
AH	AJ	AK	BB	BC	BD	BF	U	V	R	S	ES	N-W	
2.12	5.875	4.5	0.16	0.12	6.5	4*3/8-16	0.875	2	0.771	0.188	1.41	NA	

Conduit Box		Bearings		Mount
AA	AB	DE	ODE	
0.75	6.1	6205-ZZ	6205-ZZ	

**BEARING LUBRICATION:** The bearings come lubricated with Mobil Polyrex EM Polyurea Grease.





## PE145TC-2-4

**GENERAL PURPOSE ELECTRIC MOTOR**

**NEMA PREMIUM EFFICIENCY**

**TOTALLY ENCLOSED FAN COOLED - C-FLANGE WITH FEET**

**INVERTER DUTY 10:1 CT; 20:1 VT - NEMA MG1 PART 31**

**Factory Certified for T2B Class I, Division II, Groups A,B,C & D and Class II, Division II, Groups F & G**

### PERFORMANCE DATA

HP	RPM	Frame	Voltage	Frequency (Hz)	Full Load S.F.	Insulation Class	NEMA Design	Slip (%)	NEMA Code	Enclosure Type	IP Rating	Max. Ambient
2	1745	145TC	208-230/460	60	1.15	F	B	3.1	L	TEFC	55	40 °C

Amps (460V)		Efficiency (%)			Power Factor			Torque (ft-lb)			DE Bearing	ODE Bearing	Connection	Weight (lbs.)
FLA	LRA	100%	75%	50%	100%	75%	50%	FLT	LRT %	BDT %				
3.1	25	86.5	86.5	84.5	0.72	0.65	0.52	6.05	235	280	6205-ZZ	6205-ZZ	9 Lead 2Y/Y	56

### NAME PLATE

		AC INDUCTION MOTOR INVERTER DUTY 20:1 VT; 10:1 CT								CONNECTION DIAGRAMS		
CAT NO. PE145TC-2-4		FRAME 145TC		PHASE 3								
HZ 60 S.F. 1.15		HZ 50 S.F. 1.0		ENCL TEFC		IP 55		208-230V 				
HP 2 RPM 1745		HP 2 RPM 1415		DUTY CONT		DES B						
VOLTS 208-230/460		VOLTS 190/380		AMB 40 °C		INS F						
AMPS 6.6 - 6.2 / 3.1		AMPS 7/3.5		DE BRG		6205-ZZ						
CODE L P.F. 0.72		CODE G P.F. 0.79		ODE BRG		6205-ZZ						
EFF 86.5 MIN 84.0		EFF 84.0 MIN 81.5		LUB: Mobil Polyrex EM								
MOTOR WEIGHT 56 LBS		CONNECTION 9 Lead 2Y/Y		SER NO				460V 				
General purpose use on industrial machinery installed in damp, dusty or dirty environments. Hernando, Mississippi								CC082A				

### APPLICATIONS:

General purpose use on pumps, fans, blowers, compressors, conveyors, material handling and other industrial machinery installed in damp, dusty or dirty environments.