

PE145TD-2-4

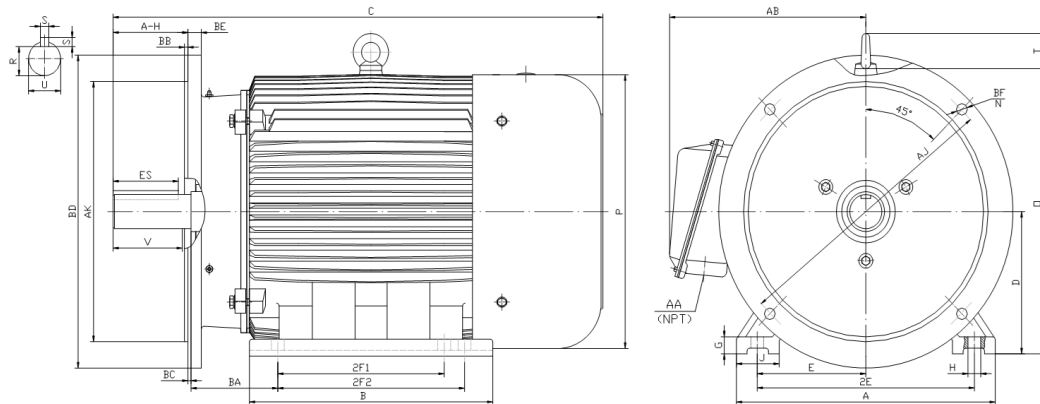
GENERAL PURPOSE ELECTRIC MOTOR

NEMA PREMIUM EFFICIENCY

TOTALLY ENCLOSED FAN COOLED - D-FLANGE WITH FEET

INVERTER DUTY 10:1 CT; 20:1 VT - NEMA MG1 PART 31

Factory Certified for T2B Class I, Division II, Groups A,B,C & D and Class II, Division II, Groups F & G



DIMENSIONS

HP	RPM	Frame	MOUNTING														
			A	B	C	D	G	H	J	E	2E	2F1	2F2	O	P	T	BA
2	1800	145TD	7	7.2	14.6	3.5	0.5	0.34	1.4	2.75	5.5	4	5	7.1	6.95	NA	2.25

FLANGE								Shaft Extension, Key Set						
AH	AJ	AK	BB	BC	BD	BE	BF	U	V	R	S	ES	N-W	
2.25	10	9	0.25	NA	11	0.5	4*0.53	0.875	2	0.771	0.188	1.41	NA	

Conduit Box		Bearings		Mount
AA	AB	DE	ODE	
0.75	6.1	6205-ZZ	6205-ZZ	F1

BEARING LUBRICATION: The bearings come lubricated with Mobil Polyrex EM Polyurea Grease.



PE145TD-2-4

GENERAL PURPOSE ELECTRIC MOTOR

NEMA PREMIUM EFFICIENCY

TOTALLY ENCLOSED FAN COOLED - D-FLANGE WITH FEET

INVERTER DUTY 10:1 CT; 20:1 VT - NEMA MG1 PART 31

Factory Certified for T2B Class I, Division II, Groups A,B,C & D and Class II, Division II, Groups F & G

PERFORMANCE DATA

HP	RPM	Frame	Voltage	Frequency (Hz)	Full Load S.F.	Insulation Class	NEMA Design	Slip (%)	NEMA Code	Enclosure Type	IP Rating	Max. Ambient
2	1745	145TD	230/460	60	1.15	F	B	3.1	L	TEFC	55	40 °C

Amps (460V)		Efficiency (%)			Power Factor			Torque (ft-lb)			DE Bearing	ODE Bearing	Connection	Weight (lbs.)
FLA	LRA	100%	75%	50%	100%	75%	50%	FLT	LRT %	BDT %				
3.1	25	86.5	86.5	84.5	0.72	0.65	0.52	6.05	235	280	6205-ZZ	6205-ZZ	9 Lead 2Y/Y	72

*Usable at 208 Volts

NAME PLATE

		AC INDUCTION MOTOR INVERTER DUTY 20:1 VT; 10:1 CT									CONNECTION DIAGRAMS		
CAT NO. PE145TD-2-4		FRAME 145TD		PHASE 3			230V 						
HZ 60	S.F. 1.15	HZ 50	S.F. 1.0	ENCL TEFC	IP 55								
HP 2	RPM 1745	HP 2	RPM 1415	DUTY CONT	DES B								
VOLTS 230/460		VOLTS 190/380		AMB 40 °C	INS F								
AMPS 6.2 / 3.1		AMPS 7/3.5		DE BRG 6205-ZZ									
CODE L	P.F. 0.72	CODE G	P.F. 0.79	ODE BRG 6205-ZZ									
EFF 86.5	MIN 84.0	EFF 84.0	MIN 81.5	LUB: Mobil Polyrex EM									
MOTOR WEIGHT 72	LBS	CONNECTION 9 Lead 2Y/Y		SER NO		460V 							
General purpose use on industrial machinery installed in damp, dusty or dirty environments. Hernando, Mississippi								CC082A					

APPLICATIONS:

General purpose use on pumps, fans, blowers, compressors, conveyors, material handling and other industrial machinery installed in damp, dusty or dirty environments.