



PE182JP-3-2

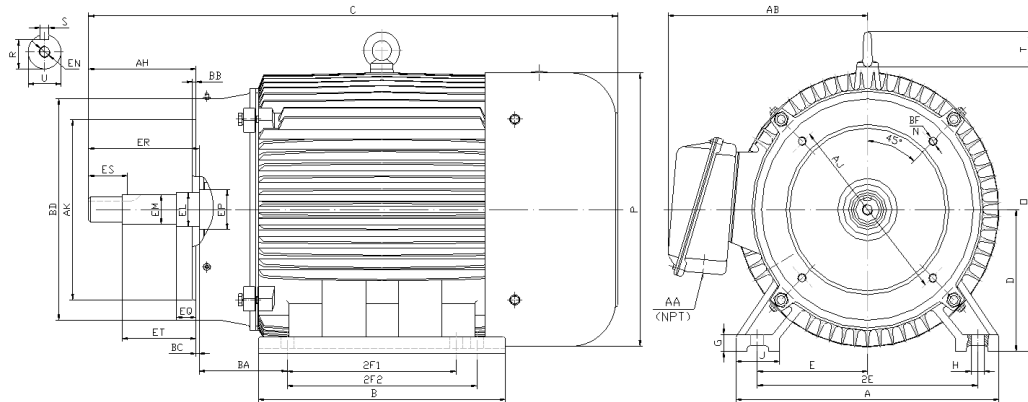
CLOSE COUPLED PUMP MOTORS

NEMA PREMIUM EFFICIENCY

TOTALLY ENCLOSED FAN COOLED, JP FRAME

INVERTER DUTY 10:1 CT; 20:1 VT - NEMA MG1 PART 31

Factory Certified for T2B Class I, Division II, Groups A,B,C & D and Class II, Division II, Groups F & G



DIMENSIONS

HP	RPM	Frame	MOUNTING														
			A	B	C	D	G	H	J	E	2E	2F1	2F2	O	P	T	BA
3	3600	182JP	9.5	7.3	21.55	4.5	0.6	0.41	2	3.75	7.5	4.5	5.5	9.1	8.7	1.6	3.5

FLANGE							Shaft Extension, Key Set										
AH	AJ	AK	BB	BC	BD	BF	U	R	S	EQ	ER	ES	ET	EP	EL	EM	EN
7.343	5.875	4.500	0.156	0.12	6.62	4*3/8-16	0.8745	0.771	0.190	1.578	7.312	1.65	5.952	1.57	1.250	1.0000	3/8-16
7.281		4.497	0.125				0.8740	0.756	0.188	1.548			5.922		1.248	0.9995	

Conduit Box		Bearings		Mount
AA	AB	DE	ODE	
0.75	7.5	6208-ZZ	6306-ZZ	

BEARING LUBRICATION: The bearings come lubricated with Mobil Polyrex EM Polyurea Grease.





PE182JP-3-2

CLOSE COUPLED PUMP MOTORS

NEMA PREMIUM EFFICIENCY

TOTALLY ENCLOSED FAN COOLED, JP FRAME

INVERTER DUTY 10:1 CT; 20:1 VT - NEMA MG1 PART 31

Factory Certified for T2B Class I, Division II, Groups A,B,C & D and Class II, Division II, Groups F & G

PERFORMANCE DATA

HP	RPM	Frame	Voltage	Frequency (Hz)	Full Load S.F.	Insulation Class	NEMA Design	Slip (%)	NEMA Code	Enclosure Type	IP Rating	Max. Ambient
3	3520	182JP	230/460	60	1.15	F	B	2.2	K	TEFC	55	40 °C

Amps (460V)		Efficiency (%)			Power Factor			Torque (ft-lb)			DE Bearing	ODE Bearing	Connection	Weight (lbs.)
FLA	LRA	100%	75%	50%	100%	75%	50%	FLT	LRT %	BDT %				
3.7	32	86.5	85.5	83.0	0.85	0.79	0.68	4.49	180	280	6208-ZZ	6306-ZZ	9 Lead 2Y/Y	89

*Usable at 208 Volts

NAME PLATE

		AC INDUCTION MOTOR INVERTER DUTY 20:1 VT; 10:1 CT								CONNECTION DIAGRAMS		
CAT NO. PE182JP-3-2		FRAME 182JP		PHASE 3		230V						
HZ 60	S.F. 1.15	HZ 50	S.F. 1.0	ENCL TEFC	IP 55	T4	T5	T6				
HP 3	RPM 3520	HP 3	RPM 2900	DUTY CONT	DES B	T7	T8	T9				
VOLTS 230/460		VOLTS 190/380		AMB 40 °C	INS F	T1	T2	T3				
AMPS 7.4/3.7	AMPS 9/4.5		DE BRG 6208-ZZ		L1			L2	L3			
CODE K	P.F. 0.85	CODE F	P.F. 0.89	ODE BRG 6306-ZZ		460V						
EFF 86.5	MIN 84.0	EFF 84.5	MIN 82.0	LUB: Mobil Polyrex EM		T4	T5	T6				
MOTOR WEIGHT 89 LBS	CONNECTION 9 Lead 2Y/Y		SER NO		T7							
General purpose use on industrial machinery installed in damp, dusty or dirty environments.		ISO9001 CERTIFIED		CE		CSA US 272709		T1		T2	T3	
Hernando, Mississippi						CC082A		L1			L2	L3

APPLICATIONS:

Specifically designed for use on industrial and commercial pumping units.