



PE184JM-5-2

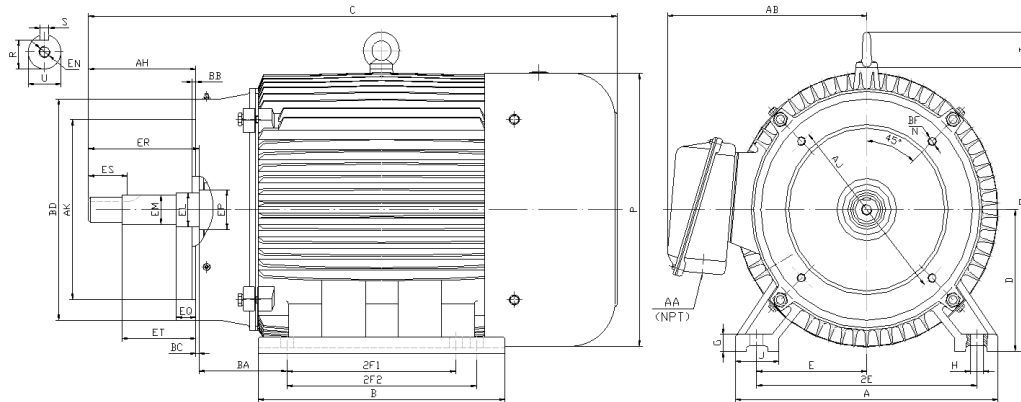
CLOSE COUPLED PUMP MOTORS

NEMA PREMIUM EFFICIENCY

TOTALLY ENCLOSED FAN COOLED, JM FRAME

INVERTER DUTY 10:1 CT; 20:1 VT - NEMA MG1 PART 31

Factory Certified for T2B Class I, Division II, Groups A,B,C & D and Class II, Division II, Groups F & G



DIMENSIONS

HP	RPM	Frame	MOUNTING														
			A	B	C	D	G	H	J	E	2E	2F1	2F2	O	P	T	BA
5	3600	184JM	9.5	8.3	19.48	4.5	0.6	0.41	2	3.75	7.5	4.5	5.5	9.1	8.7	1.6	3.5

FLANGE							Shaft Extension, Key Set										
AH	AJ	AK	BB	BC	BD	BF	U	R	S	EQ	ER	ES	ET	EP	EL	EM	EN
4.281	5.875	4.500	0.156	0.12	6.62	4*3/8-16	0.8745	0.771	0.190	0.640	4.25	1.65	2.890	1.57	1.250	1.0000	3/8-16
4.219		4.497	0.125				0.8740	0.756	0.188	0.610			2.860		1.248	0.9995	

Conduit Box		Bearings		Mount
AA	AB	DE	ODE	
0.75	7.5	6208-ZZ	6306-ZZ	F1

BEARING LUBRICATION: The bearings come lubricated with Mobil Polyrex EM Polyurea Grease.





PE184JM-5-2

CLOSE COUPLED PUMP MOTORS

NEMA PREMIUM EFFICIENCY

TOTALLY ENCLOSED FAN COOLED, JM FRAME

INVERTER DUTY 10:1 CT; 20:1 VT - NEMA MG1 PART 31

Factory Certified for T2B Class I, Division II, Groups A,B,C & D and Class II, Division II, Groups F & G

PERFORMANCE DATA

HP	RPM	Frame	Voltage	Frequency (Hz)	Full Load S.F.	Insulation Class	NEMA Design	Slip (%)	NEMA Code	Enclosure Type	IP Rating	Max. Ambient
5	3515	184JM	208-230/460	60	1.15	F	B	2.4	J	TEFC	55	40 °C

Amps (460V)		Efficiency (%)			Power Factor			Torque (ft-lb)			DE Bearing	ODE Bearing	Connection	Weight (lbs.)
FLA	LRA	100%	75%	50%	100%	75%	50%	FLT	LRT %	BDT %	6208-ZZ	6306-ZZ	9 Lead 2Y/Y	108
5.8	46	88.5	88.0	86.5	0.90	0.85	0.75	7.46	170	285				

NAME PLATE

		AC INDUCTION MOTOR INVERTER DUTY 20:1 VT; 10:1 CT								CONNECTION DIAGRAMS				
CAT NO.		PE184JM-5-2				FRAME		184JM		PHASE		3		
HZ	60	S.F.	1.15	HZ	50	S.F.	1.0	ENCL	TEFC	IP	55			
HP	5	RPM	3515	HP	5	RPM	2900	DUTY CONT	DES		B			
VOLTS		208-230/460				VOLTS		190/380		AMB	40 °C		INS	F
AMPS		13 - 11.6 / 5.8				AMPS		14/7		DE BRG	6208-ZZ			
CODE		J	P.F.	0.90	CODE		F	P.F.	0.92	ODE BRG	6306-ZZ			
EFF	88.5	MIN	86.5	EFF	86.5	MIN	84.5	LUB:		Mobil Polyrex EM				
MOTOR WEIGHT		108 LBS		CONNECTION			9 Lead 2Y/Y		SER NO					
General purpose use on industrial machinery installed in damp, dusty or dirty environments. Hernando, Mississippi										CC082A				
												208-230V 		
												460V 		

APPLICATIONS:

Specifically designed for use on industrial and commercial pumping units.