



**PE184T-2-6**

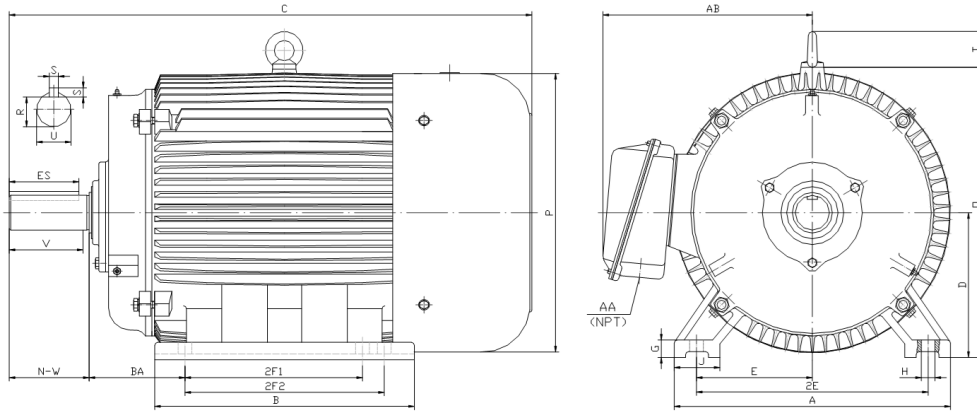
**GENERAL PURPOSE ELECTRIC MOTOR**

**NEMA PREMIUM EFFICIENCY**

**TOTALLY ENCLOSED FAN COOLED**

**INVERTER DUTY 10:1 CT; 20:1 VT - NEMA MG1 PART 31**

**Factory Certified for T2B Class I, Division II, Groups A,B,C & D and Class II, Division II, Groups F & G**



**DIMENSIONS**

| HP | RPM  | Frame | MOUNTING |     |      |     |     |      |   |      |     |     |     |     |     |     |      |
|----|------|-------|----------|-----|------|-----|-----|------|---|------|-----|-----|-----|-----|-----|-----|------|
|    |      |       | A        | B   | C    | D   | G   | H    | J | E    | 2E  | 2F1 | 2F2 | O   | P   | T   | BA   |
| 2  | 1200 | 184T  | 9.5      | 8.3 | 17.1 | 4.5 | 0.6 | 0.41 | 2 | 3.75 | 7.5 | 4.5 | 5.5 | 9.1 | 8.7 | 1.6 | 2.75 |

| Shaft Extension, Key Set |     |       |      |      |      | Conduit Box |     | Bearings |         | Mount |
|--------------------------|-----|-------|------|------|------|-------------|-----|----------|---------|-------|
| U                        | V   | R     | S    | ES   | N-W  | AA          | AB  | DE       | ODE     |       |
| 1.125                    | 2.5 | 0.986 | 0.25 | 1.78 | 2.75 | 0.75        | 7.5 | 6306-ZZ  | 6306-ZZ | F1    |

**BEARING LUBRICATION:** The bearings come lubricated with Mobil Polyrex EM Polyurea Grease.





## PE184T-2-6

GENERAL PURPOSE ELECTRIC MOTOR

NEMA PREMIUM EFFICIENCY

TOTALLY ENCLOSED FAN COOLED

INVERTER DUTY 10:1 CT; 20:1 VT - NEMA MG1 PART 31

Factory Certified for T2B Class I, Division II, Groups A,B,C & D and Class II, Division II, Groups F & G

### PERFORMANCE DATA

| HP | RPM  | Frame | Voltage     | Frequency (Hz) | Full Load S.F. | Insulation Class | NEMA Design | Slip (%) | NEMA Code | Enclosure Type | IP Rating | Max. Ambient |
|----|------|-------|-------------|----------------|----------------|------------------|-------------|----------|-----------|----------------|-----------|--------------|
| 2  | 1180 | 184T  | 208-230/460 | 60             | 1.15           | F                | B           | 1.7      | L         | TEFC           | 55        | 40 °C        |

| Amps (460V) |     | Efficiency (%) |      |      | Power Factor |      |      | Torque (ft-lb) |       |       | DE Bearing | ODE Bearing | Connection  | Weight (lbs.) |
|-------------|-----|----------------|------|------|--------------|------|------|----------------|-------|-------|------------|-------------|-------------|---------------|
| FLA         | LRA | 100%           | 75%  | 50%  | 100%         | 75%  | 50%  | FLT            | LRT % | BDT % |            |             |             |               |
| 2.95        | 25  | 88.5           | 88.0 | 86.4 | 0.70         | 0.62 | 0.50 | 9.1            | 190   | 280   | 6306-ZZ    | 6306-ZZ     | 9 Lead 2Y/Y | 91            |

### NAME PLATE

|  |            |  |                |                       |       |   |  |  |  |                     |  |        |  |
|--|------------|--|----------------|-----------------------|-------|---|--|--|--|---------------------|--|--------|--|
|  |            | AC INDUCTION MOTOR<br>INVERTER DUTY 20:1 VT; 10:1 CT |                |                       |       |   |  |  |  | CONNECTION DIAGRAMS |  |        |  |
| CAT NO. PE184T-2-6   |            | FRAME 184T   |                | PHASE 3               |       | <div style="text-align: center;"> <b>208-230V</b><br/> </div> <div style="text-align: center; margin-top: 10px;"> <b>460V</b><br/> </div> |  |  |  |                     |  |        |  |
| HZ 60  | S.F. 1.15  | HZ 50  | S.F. 1.0       | ENCL TEFC             | IP 55 |   |  |  |  |                     |  |        |  |
| HP 2   | RPM 1180   | HP 2   | RPM 975        | DUTY CONT             | DES B |   |  |  |  |                     |  |        |  |
| VOLTS 208-230/460  |            | VOLTS 190/380  |                | AMB 40 °C             | INS F |   |  |  |  |                     |  |        |  |
| AMPS 6.4 - 5.9 / 2.95  | AMPS 7/3.5 |  | DE BRG 6306-ZZ |                       |       |   |  |  |  |                     |  |        |  |
| CODE L   | P.F. 0.70  | CODE J   | P.F. 0.75      | ODE BRG 6306-ZZ       |       |   |  |  |  |                     |  |        |  |
| EFF 88.5   | MIN 86.5   | EFF 86.5   | MIN 84.5       | LUB: Mobil Polyrex EM |       |   |  |  |  |                     |  |        |  |
| MOTOR WEIGHT 91  | LBS        | CONNECTION 9 Lead 2Y/Y                               |                | SER NO                |       |   |  |  |  |                     |  |        |  |
| General purpose use on industrial machinery installed in damp, dusty or dirty environments.<br>Hernando, Mississippi |            |  |                |                       |       |   |  |  |  |                     |  | CC082A |  |

### APPLICATIONS:

General purpose use on pumps, fans, blowers, compressors, conveyors, material handling and other industrial machinery installed in damp, dusty or dirty environments.