



PE184T-5-4-575V

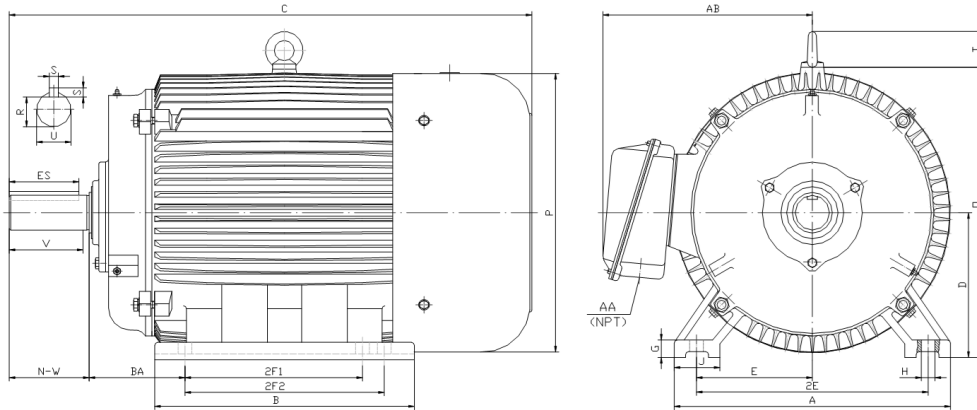
GENERAL PURPOSE ELECTRIC MOTOR

NEMA PREMIUM EFFICIENCY

TOTALLY ENCLOSED FAN COOLED

INVERTER DUTY 10:1 CT; 20:1 VT - NEMA MG1 PART 31

Factory Certified for T2B Class I, Division II, Groups A,B,C & D and Class II, Division II, Groups F & G



DIMENSIONS

HP	RPM	Frame	MOUNTING														
			A	B	C	D	G	H	J	E	2E	2F1	2F2	O	P	T	BA
5	1800	184T	9.5	8.3	17.1	4.5	0.6	0.41	2	3.75	7.5	4.5	5.5	9.1	8.7	1.6	2.75

Shaft Extension, Key Set						Conduit Box		Bearings		Mount
U	V	R	S	ES	N-W	AA	AB	DE	ODE	
1.125	2.5	0.986	0.25	1.78	2.75	0.75	7.5	6306-ZZ	6306-ZZ	F1

BEARING LUBRICATION: The bearings come lubricated with Mobil Polyrex EM Polyurea Grease.





PE184T-5-4-575V

GENERAL PURPOSE ELECTRIC MOTOR

NEMA PREMIUM EFFICIENCY

TOTALLY ENCLOSED FAN COOLED

INVERTER DUTY 10:1 CT; 20:1 VT - NEMA MG1 PART 31

Factory Certified for T2B Class I, Division II, Groups A,B,C & D and Class II, Division II, Groups F & G

PERFORMANCE DATA

HP	RPM	Frame	Voltage	Frequency (Hz)	Full Load S.F.	Insulation Class	NEMA Design	Slip (%)	NEMA Code	Enclosure Type	IP Rating	Max. Ambient
5	1755	184T	575	60	1.15	F	B	2.5	J	TEFC	55	40 °C

Amps (575V)		Efficiency (%)			Power Factor			Torque (ft-lb)			DE Bearing	ODE Bearing	Connection	Weight (lbs.)
FLA	LRA	100%	75%	50%	100%	75%	50%	FLT	LRT %	BDT %				
5.44	37	89.5	89.8	89.0	0.78	0.48	0.62	15	185	280	6306-ZZ	6306-ZZ	3 Lead Y	94

NAME PLATE

		AC INDUCTION MOTOR INVERTER DUTY 20:1 VT; 10:1 CT						CONNECTION DIAGRAMS	
CAT NO.	PE184T-5-4-575V			FRAME	184T	PHASE	3		
HZ	60	S.F.	1.15	ENCL	TEFC	IP	55		
HP	5	RPM	1755	DUTY	CONT	DES	B		
VOLTS	575			AMB	40 °C	INS	F		
AMPS	5.44			DE BRG	6306-ZZ				
CODE	J	P.F.	0.78	ODE BRG	6306-ZZ				
EFF	89.5	MIN	87.5	LUB:	Mobil Polyrex EM				
MOTOR WEIGHT	94	LBS	CONNECTION	3 Lead Y		SER NO			
General purpose use on industrial machinery installed in damp, dusty or dirty environments. Hernando, Mississippi								CC082A	

575 V Wye

APPLICATIONS:

General purpose use on pumps, fans, blowers, compressors, conveyors, material handling and other industrial machinery installed in damp, dusty or dirty environments.