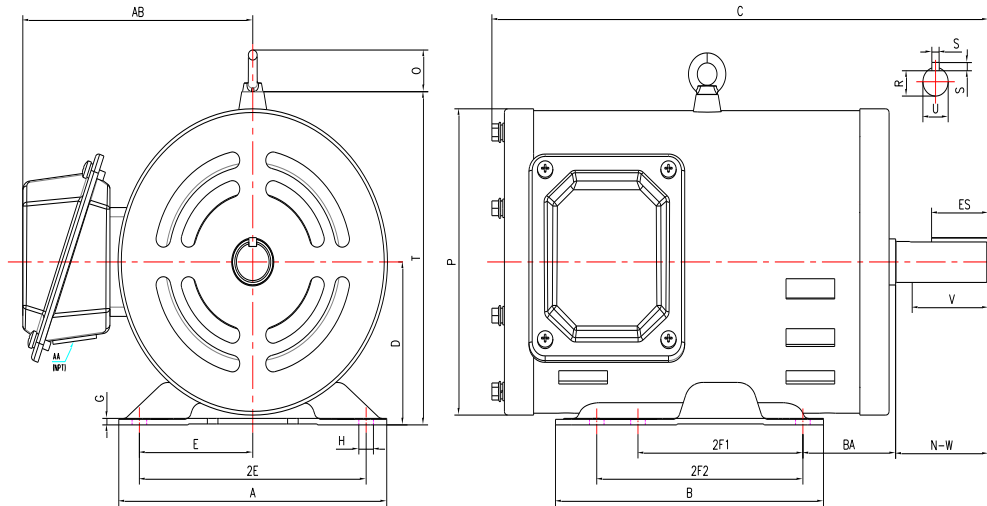


PE184T-5-4-ODP

GENERAL PURPOSE ELECTRIC MOTOR
 NEMA PREMIUM EFFICIENCY
 OPEN DRIP PROOF
 ROLLED STEEL CONSTRUCTION
 INVERTER DUTY 10:1 CT; 20:1 VT - NEMA MG1 PART 31



DIMENSIONS

HP	RPM	Frame	MOUNTING														
			A	B	C	D	G	H	J	E	2E	2F1	2F2	O	P	T	BA
5	1800	184T	8.82	6.5	14.9	4.5	0.118	0.71* 0.47	NA	3.75	7.5	4.5	5.5	9.5	8.55	1.6	2.75

Shaft Extension, Key Set						Conduit Box		Bearings		Mount
U	V	R	S	ES	N-W	AA	AB	DE	ODE	
1.125	2.5	0.986	0.25	1.78	2.75	0.86	7	6206-ZZ	6206-ZZ	F1

BEARING LUBRICATION: The bearings come lubricated with Mobil Polyrex EM Polyurea Grease.



PE184T-5-4-ODP

GENERAL PURPOSE ELECTRIC MOTOR
NEMA PREMIUM EFFICIENCY
OPEN DRIP PROOF
ROLLED STEEL CONSTRUCTION
INVERTER DUTY 10:1 CT; 20:1 VT - NEMA MG1 PART 31

PERFORMANCE DATA

HP	RPM	Frame	Voltage	Frequency (Hz)	Full Load S.F.	Insulation Class	NEMA Design	Slip (%)	NEMA Code	Enclosure Type	IP Rating	Max. Ambient
5	1770	184T	230/460	60	1.15	F	B	1.7	J	ODP	23	40 °C

Amps (460V)		Efficiency (%)			Power Factor			Torque (ft-lb)			DE Bearing	ODE Bearing	Connection	Weight (lbs.)
FLA	LRA	100%	75%	50%	100%	75%	50%	FLT	LRT %	BDT %				
6.7	46	89.5	89.8	89.0	0.79	0.74	0.62	15	190	280	6206-ZZ	6206-ZZ	9 Lead 2Y/Y	98

*Usable at 208 Volts

NAME PLATE

		AC INDUCTION MOTOR INVERTER DUTY 20:1 VT; 10:1 CT								CONNECTION DIAGRAMS		
CAT NO. PE184T-5-4-ODP		FRAME 184T		PHASE 3		230V						
HZ 60	S.F. 1.15	HZ 50	S.F. 1.0	ENCL ODP	IP 23							
HP 5	RPM 1770	HP 5	RPM 1440	DUTY CONT	DES B							
VOLTS 230/460		VOLTS 190/380		AMB 40 °C	INS F							
AMPS 13.4 / 6.7		AMPS 15.4/7.7		DE BRG 6206-ZZ								
CODE J	P.F. 0.79	CODE G	P.F. 0.84	ODE BRG 6206-ZZ								
EFF 89.5	MIN 87.5	EFF 87.5	MIN 85.5	LUB: Mobil Polyrex EM								
MOTOR WEIGHT 98 LBS		CONNECTION 9 Lead 2Y/Y		SER NO								
General purpose use on industrial machinery installed in environments with minimal dirt and moisture. Hernando, Mississippi								CC082A				
						460V 						

APPLICATIONS:

General purpose use on pumps, fans, blowers, compressors, conveyors, material handling and other industrial machinery installed in environments with minimal dirt and moisture.