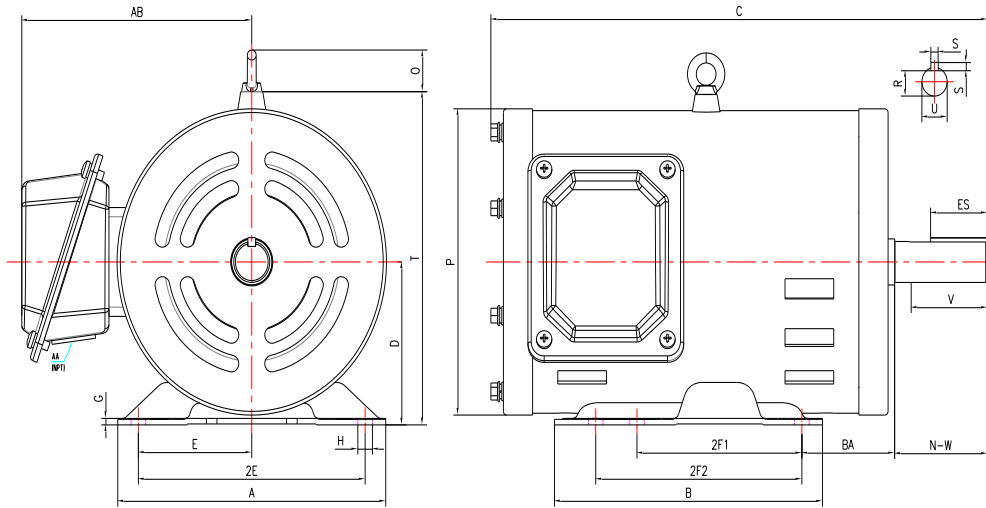




## PE184T-7.5-2-ODP

**GENERAL PURPOSE ELECTRIC MOTOR**  
**NEMA PREMIUM EFFICIENCY**  
**OPEN DRIP PROOF**  
**ROLLED STEEL CONSTRUCTION**  
**INVERTER DUTY 10:1 CT; 20:1 VT - NEMA MG1 PART 31**



### DIMENSIONS

HP	RPM	Frame	MOUNTING														
			A	B	C	D	G	H	J	E	2E	2F1	2F2	O	P	T	BA
7.5	3600	184T	8.82	6.5	14.9	4.5	0.118	0.71* 0.47	NA	3.75	7.5	4.5	5.5	9.5	8.55	1.6	2.75

Shaft Extension, Key Set						Conduit Box		Bearings		Mount
U	V	R	S	ES	N-W	AA	AB	DE	ODE	
1.125	2.5	0.986	0.25	1.78	2.75	0.86	7	6206-ZZ	6206-ZZ	F1

**BEARING LUBRICATION:** The bearings come lubricated with Mobil Polyrex EM Polyurea Grease.





## PE184T-7.5-2-ODP

**GENERAL PURPOSE ELECTRIC MOTOR**  
**NEMA PREMIUM EFFICIENCY**  
**OPEN DRIP PROOF**  
**ROLLED STEEL CONSTRUCTION**  
**INVERTER DUTY 10:1 CT; 20:1 VT - NEMA MG1 PART 31**

### PERFORMANCE DATA

HP	RPM	Frame	Voltage	Frequency (Hz)	Full Load S.F.	Insulation Class	NEMA Design	Slip (%)	NEMA Code	Enclosure Type	IP Rating	Max. Ambient
7.5	3520	184T	230/460	60	1.15	F	B	2.2	H	ODP	23	40 °C

Amps (460V)		Efficiency (%)			Power Factor			Torque (ft-lb)			DE Bearing	ODE Bearing	Connection	Weight (lbs.)
FLA	LRA	100%	75%	50%	100%	75%	50%	FLT	LRT %	BDT %				
8.8	63	88.5	87.5	85.0	0.90	0.86	0.78	11.19	200	290	6206-ZZ	6206-ZZ	9 Lead 2Y/Y	98

\*Usable at 208 Volts

### NAME PLATE

		AC INDUCTION MOTOR INVERTER DUTY 20:1 VT; 10:1 CT						CONNECTION DIAGRAMS			
CAT NO. PE184T-7.5-2-ODP		FRAME 184T		PHASE 3		230V 					
HZ 60	S.F. 1.15	HZ 50	S.F. 1.0	ENCL ODP	IP 23						
HP 7.5	RPM 3520	HP 7.5	RPM 2920	DUTY CONT	DES B						
VOLTS 230/460		VOLTS 190/380		AMB 40 °C	INS F						
AMPS 17.6 / 8.8		AMPS 21/10.5		DE BRG 6206-ZZ							
CODE H	P.F. 0.90	CODE G	P.F. 0.92	ODE BRG 6206-ZZ							
EFF 88.5	MIN 86.5	EFF 86.5	MIN 84.5	LUB: Mobil Polyrex EM							
MOTOR WEIGHT 98 LBS		CONNECTION 9 Lead 2Y/Y		SER NO		460V 					
General purpose use on industrial machinery installed in environments with minimal dirt and moisture.								CC082A			
Hernando, Mississippi											

### APPLICATIONS:

General purpose use on pumps, fans, blowers, compressors, conveyors, material handling and other industrial machinery installed in environments with minimal dirt and moisture.