



PE184T-7.5-2

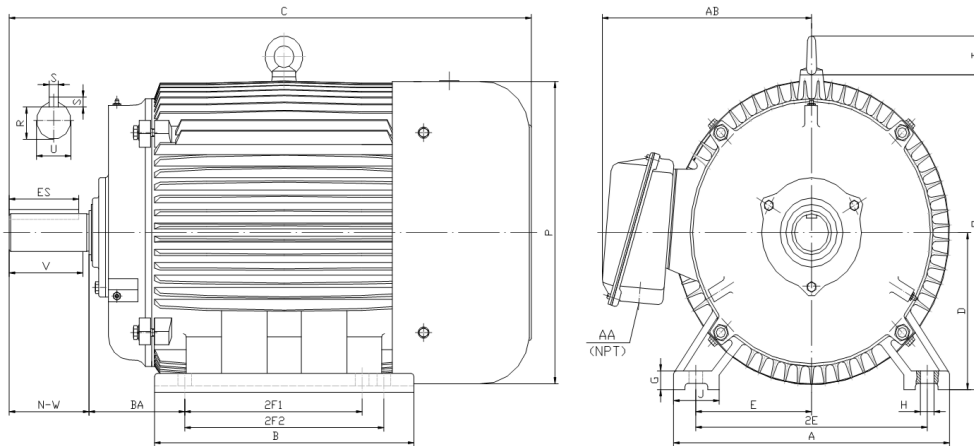
GENERAL PURPOSE ELECTRIC MOTOR

NEMA PREMIUM EFFICIENCY

TOTALLY ENCLOSED FAN COOLED

INVERTER DUTY 10:1 CT; 20:1 VT - NEMA MG1 PART 31

Factory Certified for T2B Class I, Division II, Groups A,B,C & D and Class II, Division II, Groups F & G



DIMENSIONS

| HP | RPM | Frame | MOUNTING | | | | | | | | | | | | | | |
|-----|------|-------|----------|-----|------|-----|-----|------|---|------|-----|-----|-----|-----|-----|-----|------|
| | | | A | B | C | D | G | H | J | E | 2E | 2F1 | 2F2 | O | P | T | BA |
| 7.5 | 3600 | 184T | 9.5 | 8.3 | 17.1 | 4.5 | 0.6 | 0.41 | 2 | 3.75 | 7.5 | 4.5 | 5.5 | 9.1 | 8.7 | 1.6 | 2.75 |

| Shaft Extension, Key Set | | | | | | Conduit Box | | Bearings | | Mount |
|--------------------------|-----|-------|------|------|------|-------------|-----|----------|---------|-------|
| U | V | R | S | ES | N-W | AA | AB | DE | ODE | |
| 1.125 | 2.5 | 0.986 | 0.25 | 1.78 | 2.75 | 0.75 | 7.5 | 6306-ZZ | 6306-ZZ | F1 |

BEARING LUBRICATION: The bearings come lubricated with Mobil Polyrex EM Polyurea Grease.





PE184T-7.5-2

GENERAL PURPOSE ELECTRIC MOTOR

NEMA PREMIUM EFFICIENCY

TOTALLY ENCLOSED FAN COOLED

INVERTER DUTY 10:1 CT; 20:1 VT - NEMA MG1 PART 31

Factory Certified for T2B Class I, Division II, Groups A,B,C & D and Class II, Division II, Groups F & G

PERFORMANCE DATA

| HP | RPM | Frame | Voltage | Frequency (Hz) | Full Load S.F. | Insulation Class | NEMA Design | Slip (%) | NEMA Code | Enclosure Type | IP Rating | Max. Ambient |
|-----|------|-------|---------|----------------|----------------|------------------|-------------|----------|-----------|----------------|-----------|--------------|
| 7.5 | 3500 | 184T | 230/460 | 60 | 1.15 | F | B | 2.8 | H | TEFC | 55 | 40 °C |

| Amps (460V) | | Efficiency (%) | | | Power Factor | | | Torque (ft-lb) | | | DE Bearing | ODE Bearing | Connection | Weight (lbs.) |
|-------------|-----|----------------|------|------|--------------|------|------|----------------|-------|-------|------------|-------------|-------------|---------------|
| FLA | LRA | 100% | 75% | 50% | 100% | 75% | 50% | FLT | LRT % | BDT % | | | | |
| 8.8 | 63 | 89.5 | 89.0 | 88.0 | 0.90 | 0.83 | 0.73 | 11.3 | 190 | 300 | 6306-ZZ | 6306-ZZ | 9 Lead 2Y/Y | 117 |

*Usable at 208 Volts

NAME PLATE

| | | | | | | | | | | | | | | |
|--|-----------|--|-----------|-----------------------|-------|--|--|--------|--|---------------------|--|------|--|--|
| | | AC INDUCTION MOTOR INVERTER DUTY 20:1 VT; 10:1 CT | | | | | | | | CONNECTION DIAGRAMS | | | | |
| CAT NO. PE184T-7.5-2 | | FRAME 184T | | PHASE 3 | | | | | | | | 230V | | |
| HZ 60 | S.F. 1.15 | HZ 50 | S.F. 1.0 | ENCL TEFC | IP 55 | | | | | | | | | |
| HP 7.5 | RPM 3500 | HP 7.5 | RPM 2880 | DUTY CONT | DES B | | | | | | | | | |
| VOLTS 230/460 | | VOLTS 190/380 | | AMB 40 °C | INS F | | | | | | | | | |
| AMPS 17.6 / 8.8 | | AMPS 22/11 | | DE BRG 6306-ZZ | | | | | | | | | | |
| CODE H | P.F. 0.90 | CODE E | P.F. 0.92 | ODE BRG 6306-ZZ | | | | | | | | | | |
| EFF 89.5 | MIN 87.5 | EFF 87.5 | MIN 85.5 | LUB: Mobil Polyrex EM | | | | | | | | | | |
| MOTOR WEIGHT 117 LBS | | CONNECTION 9 Lead 2Y/Y | | SER NO | | | | | | | | | | |
| General purpose use on industrial machinery installed in damp, dusty or dirty environments. Hernando, Mississippi | | | | | | | | CC082A | | | | | | |
| | | | | | | | | | | | | | | |

APPLICATIONS:

General purpose use on pumps, fans, blowers, compressors, conveyors, material handling and other industrial machinery installed in damp, dusty or dirty environments.