



## PE184TC-5-4-RB-AI

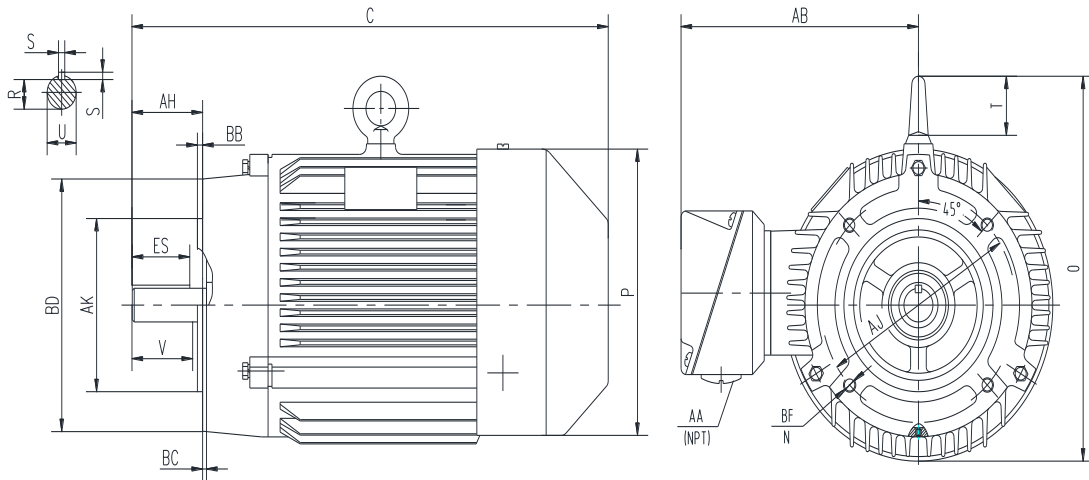
GENERAL PURPOSE ELECTRIC MOTOR

NEMA PREMIUM EFFICIENCY

THREE PHASE, TOTALLY ENCLOSED FAN COOLED - C-FLANGE

INVERTER DUTY 10:1 CT; 20:1 VT - NEMA MG1 PART 31

Factory Certified for T2B Class I, Division II, Groups A,B,C & D and Class II, Division II, Groups F & G



### DIMENSIONS

HP	RPM	Frame	MOUNTING														
			A	B	C	D	G	H	J	E	2E	2F1	2F2	O	P	T	BA
5	1800	184TC	NA	NA	16.80	NA	NA	NA	NA	NA	NA	NA	NA	NA	10.35	1.42	NA

FLANGE							Shaft Extension, Key Set						Conduit Box		Bearings		Mount
AH	AJ	AK	BB	BC	BD	BF	U	V	R	S	ES	N-W	AA	AB	DE	ODE	
2.62	7.250	8.50	0.25	0.12	9.00	4*1/2-13	1.125	2.50	0.986	0.250	1.78	2.75	1.00	8.66	6207-ZZ	6207-ZZ	F1

**BEARING LUBRICATION:** The bearings come lubricated with Mobil Polyrex EM Polyurea Grease.





## PE184TC-5-4-RB-AI

**GENERAL PURPOSE ELECTRIC MOTOR**

**NEMA PREMIUM EFFICIENCY**

**THREE PHASE, TOTALLY ENCLOSED FAN COOLED - C-FLANGE**

**INVERTER DUTY 10:1 CT; 20:1 VT - NEMA MG1 PART 31**

Factory Certified for T2B Class I, Division II, Groups A,B,C & D and Class II, Division II, Groups F & G

### PERFORMANCE DATA

HP	RPM	Frame	Voltage	Frequency (Hz)	Full Load S.F.	Insulation Class	NEMA Design	Slip (%)	NEMA Code	Enclosure Type	IP Rating	Max. Ambient
5	1745	184TC	230/460	60	1.15	F	B	3.1	J	TEFC	55	40° C

Amps (460V)		Efficiency (%)				Power Factor			Torque (ft-lb)			DE Bearing	ODE Bearing	Connection	Weight (lbs.)
FLA	LRA	100%	75%	50%	Min.	100%	75%	50%	FLT	LRT %	BDT %				
6.3	46.0	89.5	89.8	89.0	87.5	0.850	0.820	0.700	15.0	240	290	6207-ZZ	6207-ZZ	9 Lead 2Y/Y	112

\*Usable at 208 Volts

### NAME PLATE

		<b>AC INDUCTION MOTOR</b> INVERTER DUTY 20:1 VT; 10:1 CT						<b>CONNECTION DIAGRAMS</b>			
CAT NO: PE184TC-5-4-RB-AI		FRAME 184TC		PHASE 3							
HZ 60	S.F. 1.15	HZ 50	S.F. 1.0	ENCL TEFC	IP 55						
HP 5	RPM 1745	HP 5	RPM 1450	DUTY CONT	DES B						
VOLTS 230/460		VOLTS 190/380		AMB 40° C	INS F						
FLA 12.6 / 6.3	FLA 15/7.5		DE BEARING 6207-ZZ								
CODE J	P.F. 0.85	CODE H	P.F. 0.85	ODE BEARING 6207-ZZ							
EFF 89.5	MIN 87.5	EFF 88.5	MIN 86.5	LUB: Mobil Polyrex EM							
MOTOR WEIGHT 112 LBS	CONNECTION 9 Lead 2Y/Y		SER NO								
General purpose use on industrial machinery installed in damp, dusty or dirty environments. Hernando, Mississippi											

### APPLICATIONS:

General purpose use on pumps, fans, blowers, compressors, conveyors, material handling and other industrial machinery installed in damp, dusty or dirty environments.