



PE213JM-7.5-2

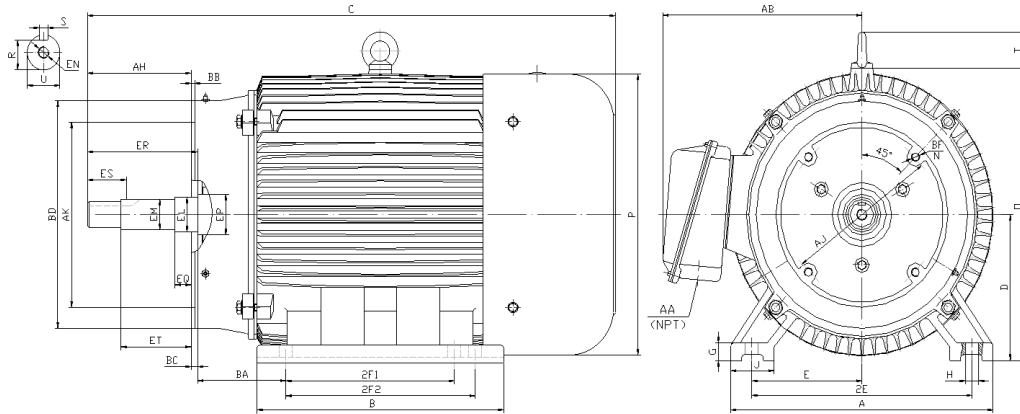
CLOSE COUPLED PUMP MOTORS

NEMA PREMIUM EFFICIENCY

TOTALLY ENCLOSED FAN COOLED, JM FRAME

INVERTER DUTY 10:1 CT; 20:1 VT - NEMA MG1 PART 31

Factory Certified for T2B Class I, Division II, Groups A,B,C & D and Class II, Division II, Groups F & G



DIMENSIONS

HP	RPM	Frame	MOUNTING														
			A	B	C	D	G	H	J	E	2E	2F1	2F2	O	P	T	BA
7.5	3600	213JM	11	7.9	20.78	5.25	0.7	0.41	2.4	4.25	8.5	5.5	NA	10.5	10.2	1.9	4.25

FLANGE							Shaft Extension, Key Set										
AH	AJ	AK	BB	BC	BD	BF	U	R	S	EQ	ER	ES	ET	EP	EL	EM	EN
4.281	7.25	8.500	0.312	0.25	9	4*1/2-13	0.8745	0.771	0.190	0.640	4.25	1.65	2.890	1.77	1.250	1.0000	3/8-16
4.219		8.497	0.250				0.8740	0.756	0.188	0.610			2.860		1.248	0.9995	

Conduit Box		Bearings		Mount
AA	AB	DE	ODE	
1	8.3	6309-ZZ	6308-ZZ	F1

BEARING LUBRICATION: The bearings come lubricated with Mobil Polyrex EM Polyurea Grease.





PE213JM-7.5-2

CLOSE COUPLED PUMP MOTORS

NEMA PREMIUM EFFICIENCY

TOTALLY ENCLOSED FAN COOLED, JM FRAME

INVERTER DUTY 10:1 CT; 20:1 VT - NEMA MG1 PART 31

Factory Certified for T2B Class I, Division II, Groups A,B,C & D and Class II, Division II, Groups F & G

PERFORMANCE DATA

HP	RPM	Frame	Voltage	Frequency (Hz)	Full Load S.F.	Insulation Class	NEMA Design	Slip (%)	NEMA Code	Enclosure Type	IP Rating	Max. Ambient
7.5	3530	213JM	208-230/460	60	1.15	F	B	1.9	H	TEFC	55	40 °C

Amps (460V)		Efficiency (%)			Power Factor			Torque (ft-lb)			DE Bearing	ODE Bearing	Connection	Weight (lbs.)
FLA	LRA	100%	75%	50%	100%	75%	50%	FLT	LRT %	BDT %				
8.8	63	89.5	88.5	86.0	0.90	0.87	0.81	11.19	160	290	6309-ZZ	6308-ZZ	9 Lead 2Y/Y	156

NAME PLATE

		AC INDUCTION MOTOR INVERTER DUTY 20:1 VT; 10:1 CT								CONNECTION DIAGRAMS		
CAT NO.		PE213JM-7.5-2				FRAME		213JM		PHASE 3		
HZ	60	S.F.	1.15	HZ	50	S.F.	1.0	ENCL	TEFC	IP	55	
HP	7.5	RPM	3530	HP	7.5	RPM	2920	DUTY CONT	DES	B		
VOLTS 208-230/460		VOLTS 190/380		AMB 40 °C		INS F						
AMPS 18.8 - 17.6 / 8.8		AMPS 21/10.5		DE BRG 6309-ZZ		ODE BRG 6308-ZZ						
CODE H	P.F.	0.90	CODE E	P.F.	0.92	LUB: Mobil Polyrex EM						
EFF 89.5	MIN	87.5	EFF 87.5	MIN	85.5	SER NO						
MOTOR WEIGHT 156 LBS		CONNECTION 9 Lead 2Y/Y			SER NO							
General purpose use on industrial machinery installed in damp, dusty or dirty environments. Hernando, Mississippi										CC082A		

APPLICATIONS:

Specifically designed for use on industrial and commercial pumping units.